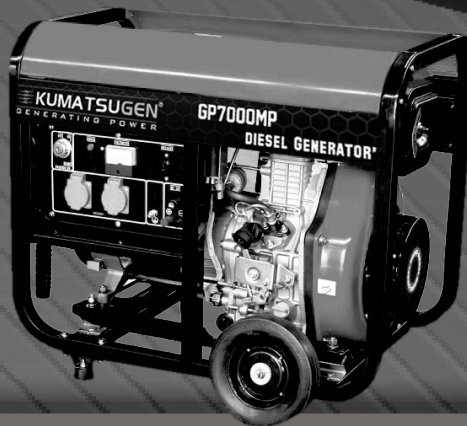


KUMATSUGEN®

GENERATING POWER



GP7000MP
012283

GP8000MA
003809

GP8000MAT
008347

GP10000MAT
053293

GP14000MAT
053309

EN User Manual

v2.2

EL Οδηγίες Χρήσης



WWW.NIKOLAOUTOOLS.GR



Technical Data of Diesel Generators / Τεχνικά Δεδομένα Πετρελαιογεννητριών				
Model	Μοντέλο	GP7000MP	GP8000MA	GP8000MAT (3 phase)
Nominal Voltage & Frequency	Ονομαστική τάση & Συχνότητα	230 V - 50 Hz	230 V - 50 Hz	230 / 400 V - 50 Hz
Nominal power output (kW)	Ονομαστική ισχύς	6,2 kVA	6,2 kVA	6,2 kVA
Maximum Power (kW)	Μέγιστη ισχύς (kW)	6,6 kVA	6,6 kVA	6,6 kVA
DC Voltage (Volt)	Τάση DC (Volt)	12	12	12
Voltage Regulation	Ρύθμισης Τάσης	AVR	AVR	AVR
Engine Type	Τύπος Κινητήρα	4 stroke, air-cooled 4χρονος, αερόψυκτος	4 stroke, air-cooled 4χρονος, αερόψυκτος	4 stroke, air-cooled 4χρονος, αερόψυκτος
Displacement (cc)	Κυβικά (cc)	418	418	418
Horsepower (hP)	Ιπποδύναμη (hP)	10,5	10,5	10,5
Cooling system	Σύστημα Ψύξης	Air Cooled Engine Αερόψυκτος Κινητήρας	Air Cooled Engine Αερόψυκτος Κινητήρας	Air Cooled Engine Αερόψυκτος Κινητήρας
Oil tank capacity (lt)	Χωρητικότητα δεξαμενής λαδιού (lt)	1,65	1,65	1,65
Fuel	Καύσιμο	Diesel Oil / Πετρέλαιο Diesel	Diesel Oil / Πετρέλαιο Diesel	Diesel Oil / Πετρέλαιο Diesel
Fuel tank capacity (lt)	Χωρητικότητα δεξαμενής καυσίμου (lt)	12,5	16	16
Noise at 7 meters distance (db(A))	Θόρυβος (στα 7 μέτρα) (db(A))	≤ 82	≤ 82	≤ 82
Dimensions (L x P x A) (mm)	Διαστάσεις (L x W x H) (mm)	800 x 520 x 600	880 x 550 x 720	880 x 550 x 720
Weight (kg)	Βάρος (kg)	103	155	155
Sockets	Πρίζες	2 x 16 A, 1 x 12 V DC	2 x 16 A, 1 x 12 V DC	1x16A 230 V, 1x16 400 V, 1x12 V DC
Other characteristics	'Αλλα χαρακτηριστικά	with starter, battery/ μίζα, μπαταρία	closed type/κλειστού τύπου	Closed type, three phase/ κλειστού τύπου τριφασική

Model	Μοντέλο	GP10000MAT	GP14000MAT
Nominal Voltage & Frequency	Ονομαστική τάση & Συχνότητα	230 / 400 V AC - 50 Hz	230 / 400 V AC - 50 Hz
Nominal power output (kW)	Ονομαστική ισχύς	8,5 kVA	13 kVA
Maximum Power (kW)	Μέγιστη ισχύς (kW)	9 kVA	14 kVA
DC Voltage (Volt)	Τάση DC (Volt)	12	12
Voltage Regulation	Ρύθμισης Τάσης	AVR	AVR
Engine Type	Τύπος Κινητήρα	4 stroke, air-cooled 4χρονος, αερόψυκτος	4 stroke, air-cooled 4χρονος, αερόψυκτος
Displacement (cc)	Κυβικά (cc)	499	954
Horsepower (hP)	Ιπποδύναμη (hP)	9	20
Cooling system	Σύστημα Ψύξης	Air Cooled Engine Αερόψυκτος Κινητήρας	Air Cooled Engine Αερόψυκτος Κινητήρας
Oil tank capacity (lt)	Χωρητικότητα δεξαμενής λαδιού (lt)	1,65	3
Fuel	Καύσιμο	Diesel Oil / Πετρέλαιο Diesel	Diesel Oil / Πετρέλαιο Diesel
Fuel tank capacity (lt)	Χωρητικότητα δεξαμενής καυσίμου (lt)	25	50
Noise at 7 meters distance (db(A))	Θόρυβος (στα 7 μέτρα) (db(A))	≤ 71	≤ 69
Dimensions (L x P x A) (mm)	Διαστάσεις (L x W x H) (mm)	960 x 560 x 710	1160 x 670 x 940
Weight (kg)	Βάρος (kg)	170	300
Sockets	Πρίζες	1 x 16 A 230 V, 1 x 16 400 V, 1 X 12 V DC	1 x 16 A 230 V, 1 x 16 400 V DC, 1x12 V DC
Other characteristics	'Αλλα χαρακτηριστικά	Closed type, three phase/ κλειστού τύπου τριφασική	Closed type, three phase/ κλειστού τύπου τριφασική

Safety Precautions

1. Kids should be kept in safe distance to generator. 2. Don't touch the engine and muffler while generator is working or just be turned down to avoid empyrosis. Please pay attention to warning sticker on generator. 3. Electrical equipment (including cable and plug connecting component) should be in good condition before starting. 4. New circuit breaker must be under same level performance, characteristic and parameters with the former for replacement. 5. Due to high mechanical stress, only rubber sheath cables or parity products are allowed to be used. 6. When using extension wire or mobile distribution cabinets, wire with 1.5 square millimetre cross section should not be longer than 60 metres; for 2.5 millimetre cross section, wire should not be longer than 100 metres. 7. With the engine of manual starting, the danger of change rotating direction suddenly should be prevented. 8. On standard working condition of circumstance, the generator could only load on rated output. If the working condition of circumstance is not standard, the generator should be run at lower output. When temperature, altitude and humidity is higher than standard working condition of circumstance, the generator would reduce the output. 9. Before checking and maintenance of generator, the engine must be stopped. To disassemble the spark plug and key starting to make sure the engine would not be started improperly. Then check and maintain the generator on the scheduled calendar of repair. 10. Except the daily maintenance and cleaning, the checking and readjustment should be conducted by authorized professional person and source the requested components by them (contact with local dealers). 11. The new or just overhauled machine must endure the breaking-in period of 30 hours at least, the output should not exceed 75% of rated output.

Introduction

This series of diesel generators adopts a super-light type, air cooled, 4-stroke direct injection diesel engine and has two starting ways as an option (open frame type), that is, recoil starting (manually) & electric starting and electric starting only for the silent type. They are equipped with a large capacity fuel tank, circuit protector, AC & DC double voltage output device, low oil pressure alarm and automatic stop device.

The diesel generators serve as a stand-by power supply. This manual describes how to operate, maintain and service these diesel generators. Please read and fully understand these instructions before using the diesel generator set in order to ensure proper handling and operation.

Follow the instructions carefully in order to keep your diesel generator set in the best running condition, which at the same time will prolong the service life of the diesel generator. Should you have any further questions concerning this manual, or any suggestions, please contact our dealer or the authorized service department of our company directly.

Diesel generator series appearance



Open frame type



Closed, Silent type

Basic Parameters

The genset can generate the rated output power under the following conditions:

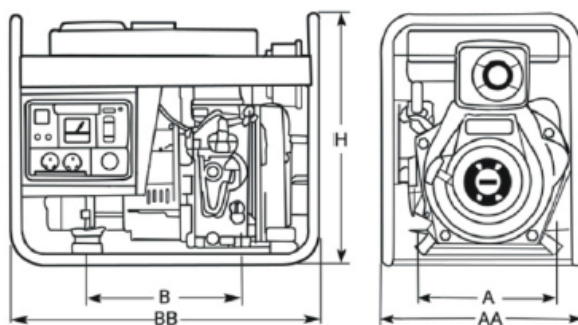
Altitude (m)	Ambient temperature (°C)	Relative humidity
0	+20	60%

The genset can generate the specified output and work reliably under the following conditions:

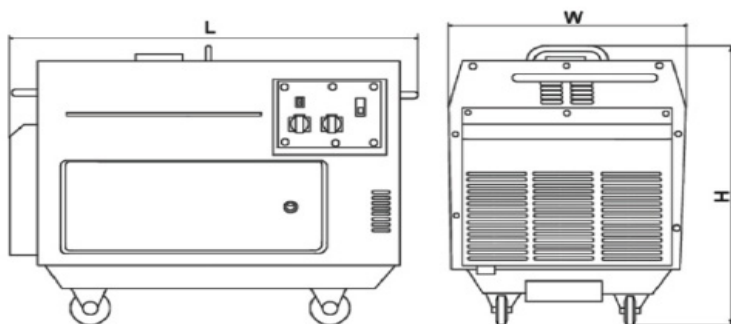
Altitude (m)	Ambient temperature (°C)	Relative humidity
< 1000 (m)	5 - 40	90%

Outline and installation dimensions

- Outline and installation dimensions of diesel generator (open frame type)

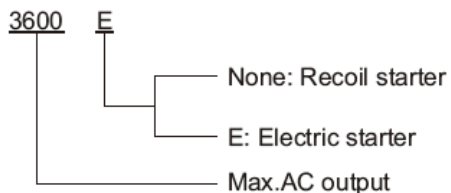


- Outline and installation dimensions of diesel generator (silent type)

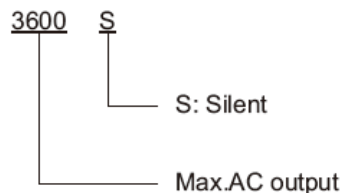


- Type and Code of diesel generator

Open frame type



Silent type



Operation of the diesel-generator (gen-set)

Please read and understand this operation manual to insure safe operation, and pay high attention to the following main points of operation otherwise personal injury and damage to equipment may take place.

Preventing fires

The fuel of diesel engine is light diesel fuel, so gasoline, kerosene etc. must not be used. Wipe away all fuel spills with a clean cloth. Keep gasoline, kerosene, matches and other explosives and inflammables away from the generator, because the temperature around the exhaust muffler is very high during operation. To prevent fire hazards and to provide adequate ventilation, keep the generator at least 1.5 meter away from buildings and other equipment during operation. Operate the generator on a level surface, there may be fuel spillage if the generator is tilted.

Preventing exhaust gas inhalation

Exhaust gas contains poisonous carbon monoxide. Never use the generator in poorly ventilated locations. If indoor operation is unavoidable, provide proper ventilation so that people and cattle will not be affected.

Preventing burns

Never touch the muffler, or the muffler cover while the engine is running or hot.

Electric shocks, short circuits

In order to avoid electric shocks or short circuit, do not touch the generator, when either it or your hands are wet. This generator is not waterproof, so it should not be used in a place exposed to rain, snow or water sprays.

Caution: Most appliance motors require more than their rated wattage for start up. Do not exceeded the current limit specified for any one socket.

The generator should be grounded to prevent electric shock. Please connect a length of heavy wire between the generator's ground terminal and an external ground device. Please see the following figures.

Do not connect other equipment to the generator before starting it.

Other safe main points

Know how to stop the generator quickly, and understand how operate all of the controls. Never permit anyone to operate the generator without proper instruction. Always wear a helmet and safety shoes and proper clothes, keep pets and children away from the generator when it is in operation.

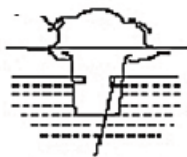


Charging the battery

Battery electrolyte contains sulphuric acid. Protect your eyes, skin and clothing. In case of contact, flush thoroughly with water and get prompt attention, especially if your eyes are affected. Batteries generate hydrogen gas, which can flames or sparks near a battery, especially during charging. Charge the battery in a fully ventilated pl. When a peripheral device uses a flywheel generator power, do not disconnect the battery connections from the engine, or it may give the peripheral damage.

Preparation before start / Selection and handling of fuel

Fuel tank: only light diesel fuel can be used. The fuel must be filtered. Fuel should be free of water or dust because these cause trouble in the fuel injection pump nozzle.



Caution: Do not overfill the tank beyond the top of the red plug inside the fuel tank filter.

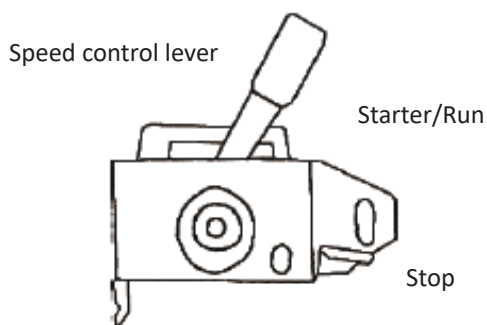
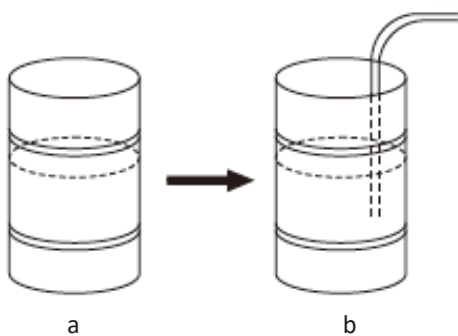
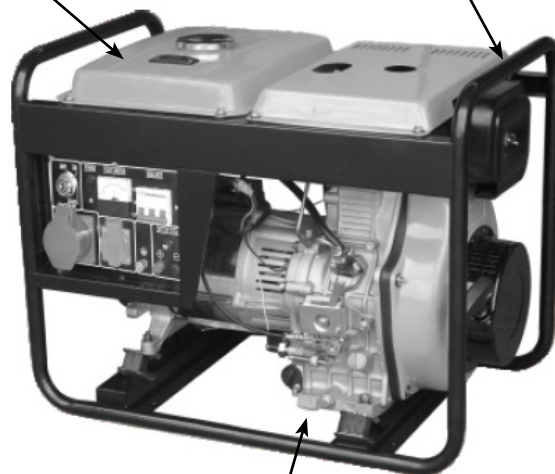
Air cleaner element:

Don't wash the air cleaner element with detergent. Replace the element when its output decreases or a bad exhaust color is noticed.

Caution:

- Don't smoke and allow sparks in the area where the engine is refueled or where gasoline is stored.
- Don't spill fuel when refuelling, make sure the filter cap is securely closed.

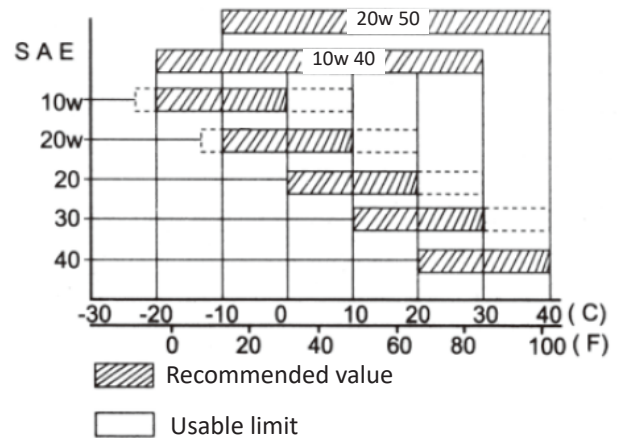
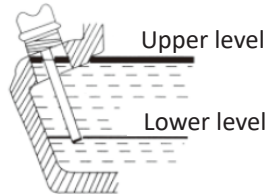
- a. After purchasing fuel allow drum to stand 3-4 days.
- b. After 3-4 days: Put a suction pipe halfway into the drum. (Water and dust accumulate in the lower portion of the drum.)



Selection and handling of lube oil

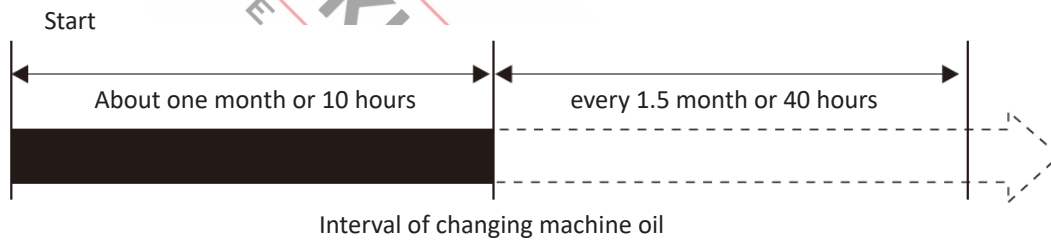
Inlet of lubricant:

Set the generator on the level, fill the engine oil into the inlet of lubricant. To check the oil level, simply dip the dipstick into the pan. Do not screw the dipstick.



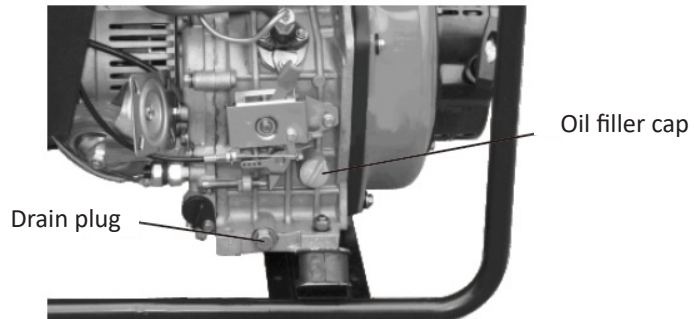
A.P.I. Maintenance classification for the diesel engine. We recommend A.P.I. CC or CD.

Nothing affects the performance and durability of generator more than the lube oil you use. If inferior oil is used or if your engine oil is not changed regularly, the risk of piston seizure, piston ring sticking and accelerated wear of the cylinder liner, bearing and other moving components increases significantly. Your generator's life may be seriously shortened.



Make sure to check the oil level and to refill with oil to the specified level before starting the generator, even though it is equipped with a low oil pressure warning system. Be sure to drain the oil while the engine is warm. It is difficult to drain the oil completely after cooling.

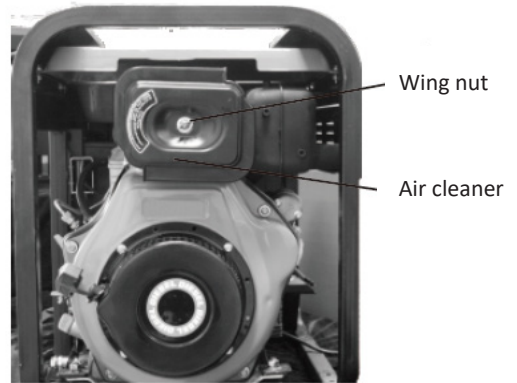
Caution: Do not add oil into the machine when the engine is running.



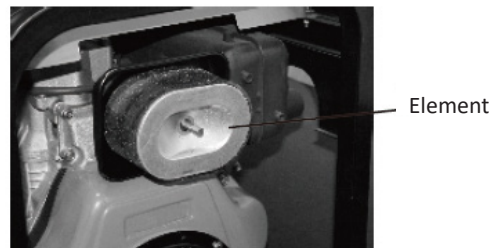
Check air cleaner element

(1) Loosen the wing nut, detach the cover of air cleaner and remove the element. Do not wash air cleaner element with detergent .

The air cleaner element must be changed when the output of engine decreases or the color of exhaust is abnormal.



Never run the generator without the air cleaner element. This may cause rapid engine wear.



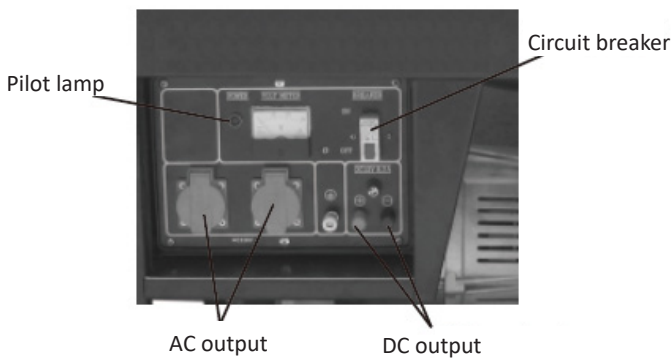
(2) Reattach the cover of air cleaner and tighten the wing nut.

Turn off the main switch and any other loads (Such as the light and motor switches)



Check Generator

Turn off the main switch and any other loads (Such as the light and motor switches)



Be sure to turn off the main switch before starting the generator. If the switch is not on the “off” position, sudden application of load could be very dangerous, when the diesel engine is started. The generator should be earthed to prevent electric shocks.



Handling of dual voltage type generator

Operation of change over switch.

The circuit breaker on the control box must be used when application AC power, the air switch must be set at "OFF" position before run the machine. After start the genset, the speed reach rated speed so turn the switch at "ON" position, so that the two sockets can be used for output of rated voltage.

Set the main switch at "OFF" position when use 12 V power for charge.

The terminal of 12V output can be used for 12V voltage charge, user can provide a charge switch for switch on or switch off.

Fuel & engine oil already drained off before exit from factory

To check oil pipeline, and find whether there is air mixed into the pipeline, if yes, drain away the air from the pipeline before refuel and start the diesel engine. The actual method is that, loosen the connection nut between injecting pump and pipeline and then drain off the air until no air bubble from the fuel.

Inspection and operation of diesel engine

Low oil warning system/stop device.

The device works to stop the engine automatically when the oil pressure falls below the regulatory level and to prevent engine seizure when lube oil is running short.

The oil temperature will rise too high if the engine is operated with insufficient lubrication oil. On the other hand , too much oil is dangerous because the oil may combust and cause a sudden and excessive rise in engine rpm, so before operating the machine, be sure to check the oil and supply oil to the specified level.

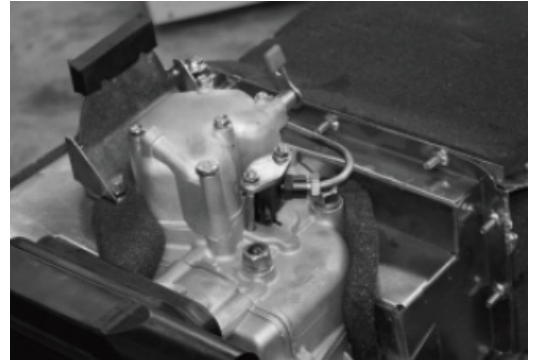
How to open the cabinet door and cover (diesel generator)

(1) Opening the cabinet door and raise the door and check daily.



(2) Loosen the bolt & open the cover to check the air cleaner.

(3) Checking the outside cover of nozzle, loosen the thumb nut and open the cover.



Break-in operation

While your generator is still new, application of heavy loads may shorten the life of the engine. Follow the break-in procedures during the first 20 hours.

- (1) Avoid applying any heavy load during the break-in period.
- (2) Change engine oil regularly.

Change the engine oil every 10 hours or one month after the initial use, and every 1,5 month or 40 hours thereafter.

Starting the generator

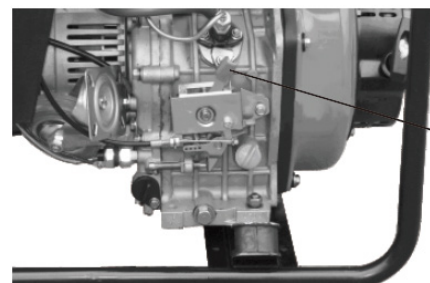
Recoil starting (manual start)

The engine is started in the manner described below.

- 1. Open the fuel cock (at the "ON" position).
- 2. Put the engine speed lever in the position). "RUN" position.
- 3. Pull out the recoil starting handle.



- 1. Pull out the handle to the point where your hands feel strong resistant and then return it to the initial position.



engine speed lever

2. Push down the decompression lever. (It will return automatically when the recoil starter is pulled)

3. Pull out the recoil starting handle briskly with both hands.

Do not allow the handle grip to snap back against the engine. Return it gently to prevent damage to the starter, when starting (or after start).

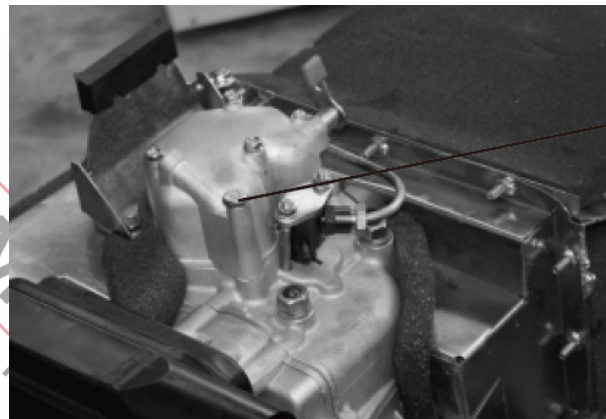
CAUTION ! Never pull out the start handle when diesel engine is running, otherwise it will damage the engine.



decompression lever

4. In cold weather, when diesel engine is difficult to start, remove the plug from the rocker arm cover and add 2 cc of engine oil. Replace the plug before starting.

Keep the plug in the cover except when adding oil, otherwise rain, dirt and other contaminants may enter the engine and cause accelerated wear of internal parts. This can cause serious problems.



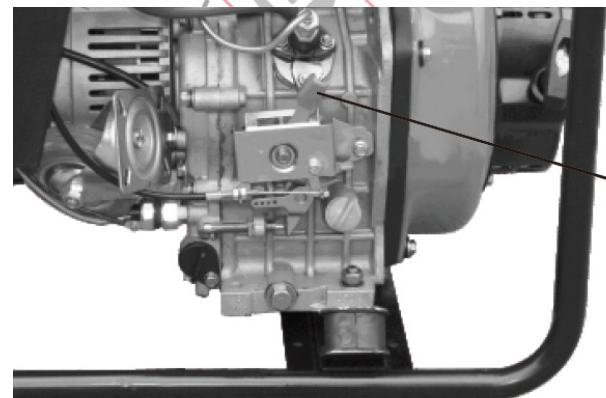
plug

Electric starting

1. Starting (The preparation for electric starting is same as recoil start).

- (1) Open the fuel cock.
- (2) Let the engine speed lever at "RUN" position.
- (3) Turn the starting key at clockwise to "Start" position.
- (4) Remove your hand from the key as soon as the engine starts and let the key return automatically to initial position.
- (5) If the motor doesn't start after 10 seconds, please wait for about 15 seconds before attempting to start again.

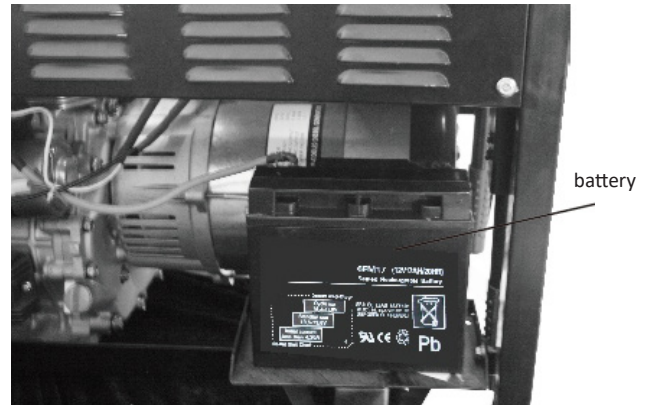
Caution: If starting the motor takes too long, the battery will face faults. Always leave the starting key turned on, in the "ON" position, while the engine is running.



engine speed lever

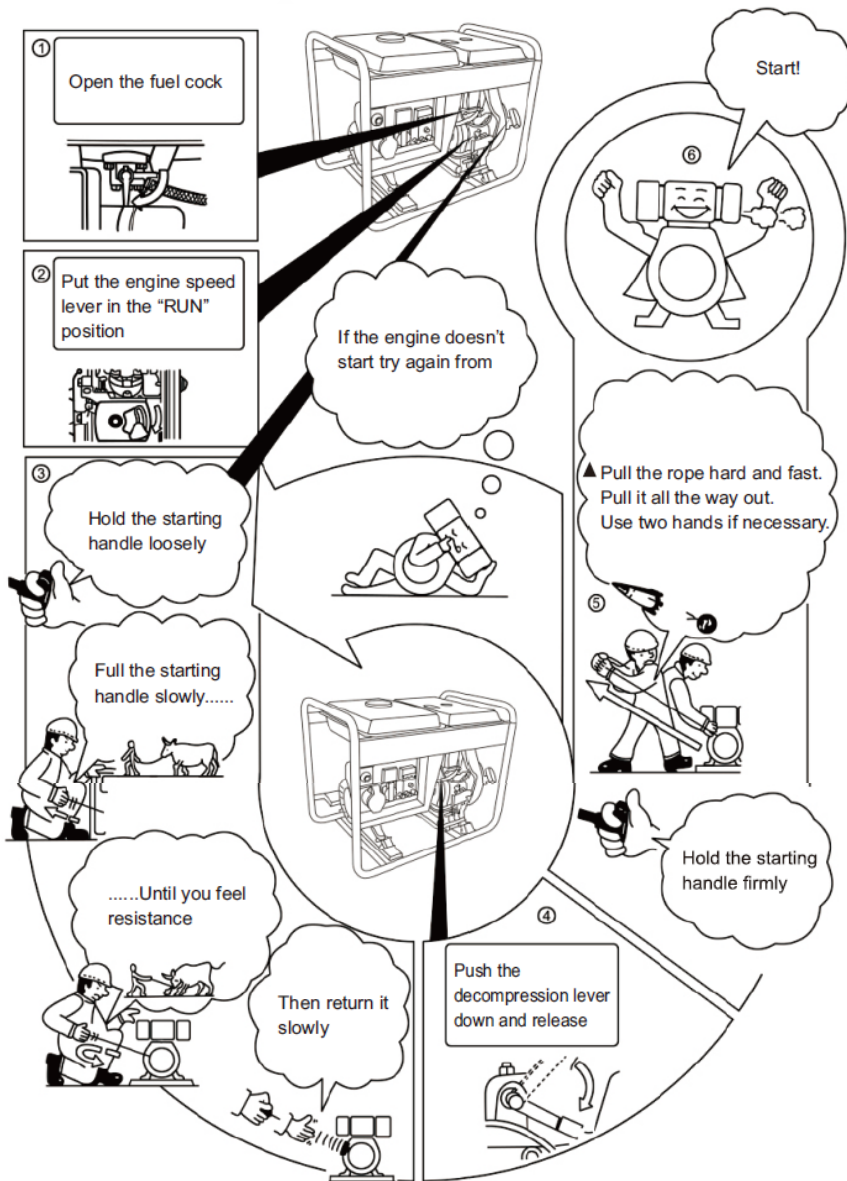
Battery

Check the condition of the fluid in the battery once every month according to the colour that appears externally: 1. Green colour, battery OK 2. White colour, the battery needs to be charged, 3. Black colour : the battery needs to be replaced.



Starting sequence of the generator

This starting sequence is only suitable for open frame type diesel generator recoil start.





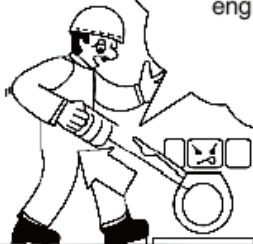
For 3, don't pull the rope too fast or hard



Always pull the rope slowly



For 5, if you don't pull the rope all the way out, the engine won't start



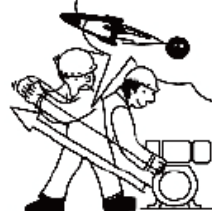
For 5, if you don't pull hard enough, the engine won't start



Always pull the rope all the way out



Always pull the rope hard and fast



How to correctly operate the generator

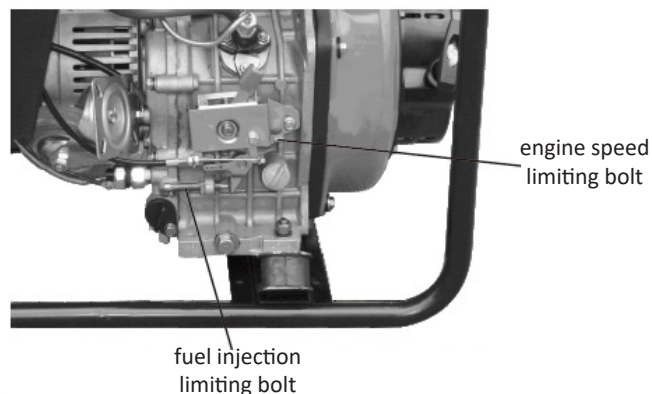
Operating your generator

- (1) Warm up the engine without load for about 3 minutes.
- (2) The generator is equipped with low oil warning system. The engine will stop automatically in case of low oil pressure or a lubrication oil shortage. The engine will stop immediately if restarted without a lubrication oil refill. To check the oil level and refill.
- (3) Do not loosen or readjust either the engine speed limiting bolt or fuel injection limiting bolt (They had been already well adjusted before ex-factory) otherwise, performance may be affected.

Check during operation:

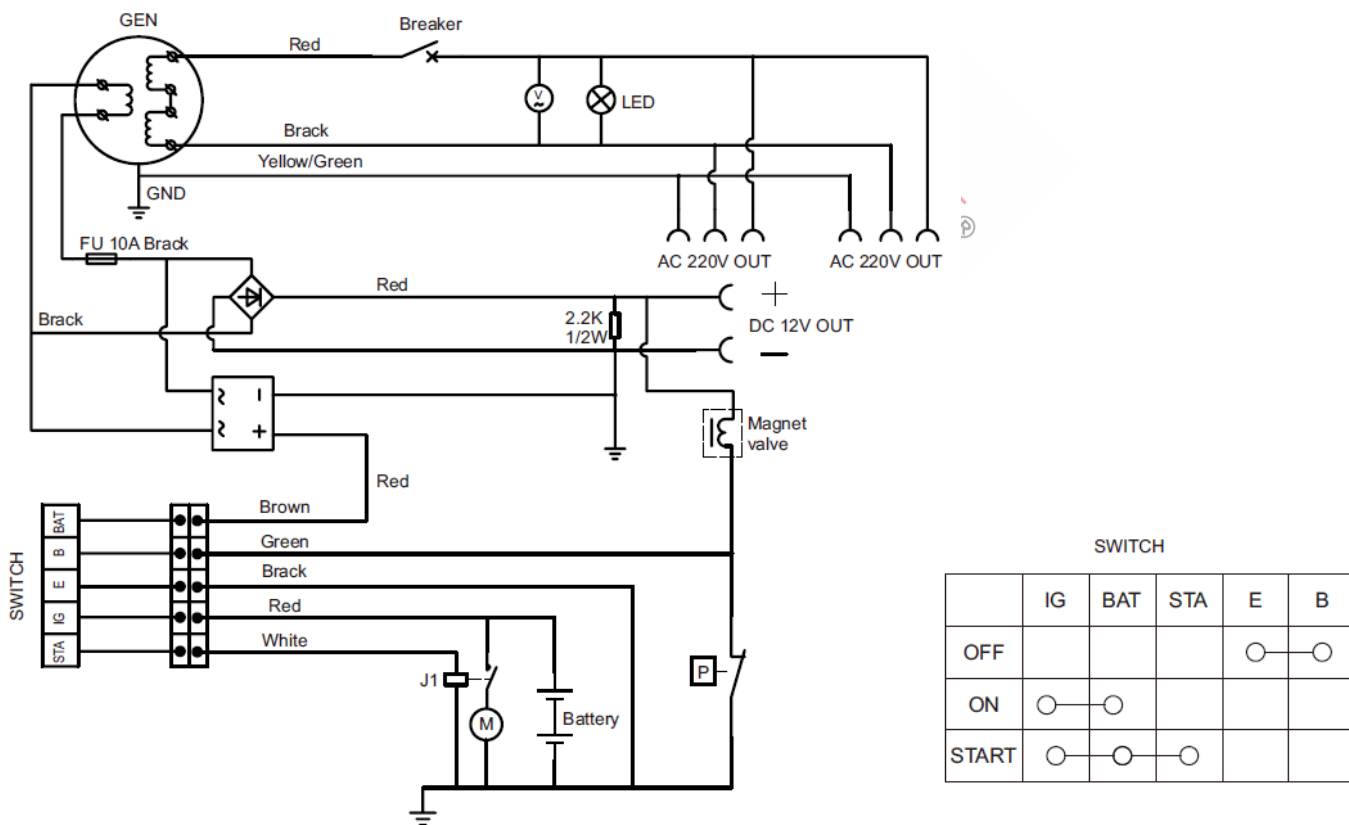
- (1) Any abnormal sound or vibration?
- (2) The engine misfiring or running rough.
- (3) What about the color of the exhaust gas? (is it black or too white?)

If you notice any of the above phenomenon, stop the engine and consult your nearest dealer or contact with our company.



Load

To add load according to specified parameter. For electric principle diagram of generator, please refer to the following drawing.



AC application

- (1) Start the engine and make sure the pilot lamp turns on. If it does not, the filament may be burnt out.
- (2) The speed of generator must reach rated speed (lever at top). For rated speed of generator, please see main technical specifications and parameters at the relevant chapter Section.
- (3) The Generator can load when the indicator of voltmeter shows at 230(+10%) (50Hz) on the panel of control box.
- (4) Plug in the appliance.

Caution: Do not start two or more machines simultaneously. Start them one by one. Do not use floodlights together with other machines.

(5) Be sure that all appliances are in good working condition before connecting them to the generator, if an appliance begins to operate abnormally, becomes sluggish, or stops suddenly, turn off the generator immediately. Then disconnect the appliance and examine it for signs of malfunction. If overloading of the circuit trips the AC circuit protector, reduce the electrical load on the circuit, and wait a few minutes before resuming operation. If the indication of voltmeter is too low or too high, stop the machine and examine it for cause of malfunction.

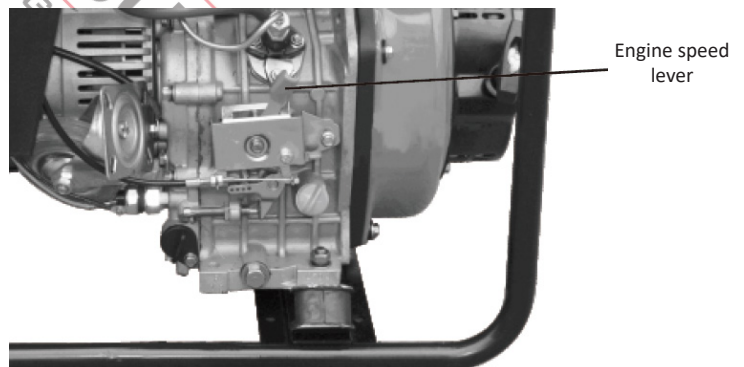
DC application

The DC terminal may be used for charging 12 volt automotive-type batteries only. (1) When using automotive-type batteries with battery cables, be sure to disconnect the minus pole battery cable from the battery before charging. (2) Start the engine. (3) Connect the charging cable to the battery terminals and the DC terminals of generator. Connect the positive battery terminal to the positive generator terminal. Do not reverse the charging cables, or serious damage to the generator and/or battery may occur. Do not allow the free ends of the cable to touch each other. If this occurs, it will be short circuit the battery. When a large capacity battery is charged, excessive current flows (the value varies depending on the discharging condition), and the fuse for the direct current will burn out. (4) Batteries produce explosive gases. Keep sparks, flames and cigarettes well away. To prevent the possibility of creating a spark near the battery, always connect the charging cables to battery first and only then to the generator. When disconnecting, you should disconnect the cables at the generator first. (5) Charge the battery in a well ventilated place. Before charging, remove the cap from each cell of the battery. Discontinue charging if the electrolyte temperature exceeds 45°C.

Caution: Do not attempt to start an automobile engine while the generator is still connected to the battery. Do not use DC 12 volt and AC at the same time.

Stopping the generator

Please bear in mind that for stopping (as well as starting) the BGB9000 generator, you should carefully follow the initial guidelines. Stopping and starting BGB9500 is simply done by the respective switch, no further detailed explanation is required.



Periodic checks and maintenance procedure

Periodic check and maintenance are very important for keeping the engine in good condition and durable. The generator consists of diesel engine, alternator, control box and frame, etc.. Please read the detailed description of operating manual for each part.

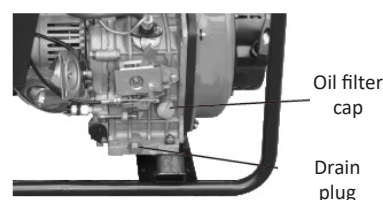
Shut off the engine before performing and maintenance. If the engine must run, make sure the area is well ventilated. The exhaust contains poisonous carbon monoxide gas. After engine has been used, clean it immediately with a cloth to prevent corrosion and remove sediment.

Service period regular	Daily Check	First month or 10 hours	Every 3 months or 100 hours	Every 4,5 months or 200 hours	Every year or 1000 hours
Item					
Check and replenish fuel	○				
Drain fuel F.O. tank		○			
Check and replenish lube oil	○				
Check for oil leakage	○				
Check and tighten each parts engine	○			● (tighten head bolts)	
Change lube oil		○ (1st time)	○ (2nd and there-after)		
Clean oil filter			○ (clean)	○ (replace)	
Air cleaner element replacement	Service more frequently when used in dusty areas			○ (replace)	
Replace fuel filter	every 100 hours at most				
Check fuel injection pump				●	
Check fuel injection nozzle				●	
Check fuel pipe				● (replace if necessary)	
Adjust valve clearance for intake and exhaust valves				● (1st time)	
Lap intake and exhaust valves					●
Replace piston rings					●
Check battery fluid	(Monthly)				

“○” The chart above indicates what checks to make and when to make them, the mark (●) indicates that special tools and skills are required, consult your dealer.

Changing engine oil (Every 100 hrs)

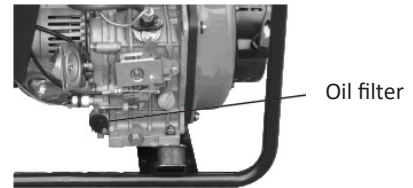
Remove the oil filler cap. Remove the drain plug and drain the used oil while the engine is still warm. The plug is located on the bottom of the cylinder block. Tighten the drain plug and refill with the recommended oil.





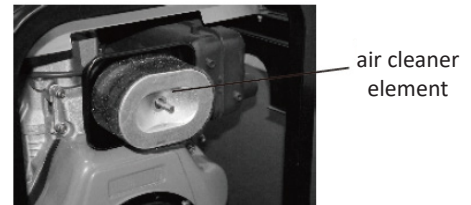
Cleaning the oil filter

- Clean the oil filter every 4 months or every 200 hours of operation.
- Replace if necessary.



Changing the air cleaner element

Do not wash the air cleaner element with detergent because this is a dry type element. Change the air cleaner element every 6 months or 300 hours (or earlier if dirty). **CAUTION:** Never start the engine without the element, or with a defective element. Change the element in time.



Replacing the fuel filter

The fuel filter also has to be cleaned regularly to ensure maximum engine output .

- (1) Drain the fuel oil from the fuel tank.
- (2) Loosen the small screws of the fuel cock and pull out the filter from the F.O. tank. Wash the filter thoroughly with diesel fuel, remove the lock nut, end cap and diffuser discs and clean the carbon deposit.

- Replace every 100 hours

Note: Tightening cylinder head bolts (Refer to the manual of diesel engine) requires a special tool. Don't try it yourself.

Checking the injection nozzle, injection pump, etc.

- (1) Adjusting the valve head clearance for the intake and exhaust valves.
- (2) Lapping of intake and exhaust valve.
- (3) Replacing piston ring.

All these require special tools and skills. Do not perform the injection nozzle test near an open fire or any other kind of fire. The fuel spray may ignite. Do not expose bare skin to the fuel spray. The fuel may penetrate the skin and cause injury to the body. Always keep your body away from the nozzle.

Checking and replenishing battery fluid and charging and battery

This diesel engine uses a 12V battery. The battery fluid will be lost through continuous charging and discharging. Before starting, check for physical damage to the battery. When actual damage is discovered, replace the battery.

Long time storage

If your generator should be stored in long time, the following preparation should be made.

- Operate the diesel engine about 3 minutes, and stop it
- Stop the diesel engine when the diesel engine is still hot, drain old lubricate of diesel engine oil out, then refill new one.
- Pull out the plug at the cover of diesel engine and add 2ml of lubricate in cylinder, and finally put the plug on its original place
- Maintenance of starting position
 - (1) Manual starting Press the pressure-reduce handle (non-compression position), pull the recoil handle 2-3 times. (Don't start diesel engine).
 - (2) Electric starting When the starting handle is in the position of non-compression position, operate the diesel engine 2-3 seconds. When the switch is in the position of start, don' start the diesel engine.
- Pull the pressure-reduce handle out, pull the recoil starter slowly. When you feel the fastness, stop the pulling. (At this time the intake and exhaust valve is at the status of close, it is suitable to prevent from rust).
- Clean and store it in a dry place.

Maintenance and remedies for the generator set

	CAUSE	REMEDY
The diesel engine cannot start	Fuel is not enough	Add diesel fuel
	The switch is not at "ON" position	Turn it to "ON" position
	The high pressure pump and oil nozzle cannot inject oil or the oil amount is not enough	Remove the oil nozzle out and repair it at test table
	The control lever of speed is not at "RUN" position	Put the control lever to "RUN" position
	Check the level of lubricant	The specified oil level should be between upper level "H" and lower level "L"
	The speed and force to pull the recoil starter is not enough	Start the diesel engine according to the requirements of the starting operating procedure
	The oil nozzle is dirty	Clean the oil nozzle
	The battery is uncharged or doesn't work	Charge it or replace it with a new one
The generator doesn't work	Main switch is closed	Put the main switch to the "ON" position
	The contact of socket is not good	Adjust the socket
	The rated speed of generator cannot be reached	Adjust it according to the requirements

When welding, if the electrical current is overly large for the specific welding process, or the engine is shut-down by overload during welding, damage or short circuit could be caused by the AVR's regulator damage or short circuit. If no electrical current is generated, take the diesel-generator to the respective dealer or to an authorized service center.

- Further questions and problems -

If you have any question or problem when you meet in your operation, please contact with our company or our dealer and tell the following information:

(1) The type of diesel generator sets, the No. and type of diesel engine and the No. and type of generator.

(2) Status

What problem had taken when operation and explain how much speed it is operated.

(3) Time of operation

(4) The other detailed condition, for example, when the problem took place and how often, etc.

APPENDIX

1. List of accessory and spare parts with this machine

No.	Name	Unit	Qty	Remarks
1	Diesel Generator	Set	1	
2	Kit	Piece	1	
3	Plastic Cover	Piece	1	
4	Certificate of quality	Piece	1	

2. Technical documents

No.	Name	Unit	Qty	Remarks
1	Manual of diesel engine- generator series	Set	1	

3. Service Part Kit (option)

No.	Name	Unit	Qty	Remarks
1	Wrench 8-10	Set	1	
2	Wrench 12-14	Piece	1	
3	Wrench 17-19	Piece	1	
4	Screw	Piece	1	
5	Plastic Bag	Piece	1	

- ATTENTION -

1. This product is only intended for use outdoors in a well ventilated area.
2. The product is intended for generating electricity.
3. The product should not be used underground.
4. The product should not be used in a potentially explosive atmosphere.
5. The product can not be connected directly to power supply.

NOTE: When operating the engine, ear protection shall be worn.

* The manufacturer reserves the right to make minor changes to product design and technical specifications without prior notice unless these changes significantly affect the performance and safety of the products. The parts described / illustrated in the pages of the manual that you hold in your hands may also concern other models of the manufacturer's product line with similar features and may not be included in the product you just acquired.

* To ensure the safety and reliability of the product and the warranty validity, all repair, inspection, repair or replacement work, including maintenance and special adjustments, must only be carried out by technicians of the authorized service department of the manufacturer.

* Always use the product with the supplied equipment. Operation of the product with non-provided equipment may cause malfunctions or even serious injury or death. The manufacturer and the importer shall not be liable for injuries and damages resulting from the use of non-conforming equipment.

ATTENTION

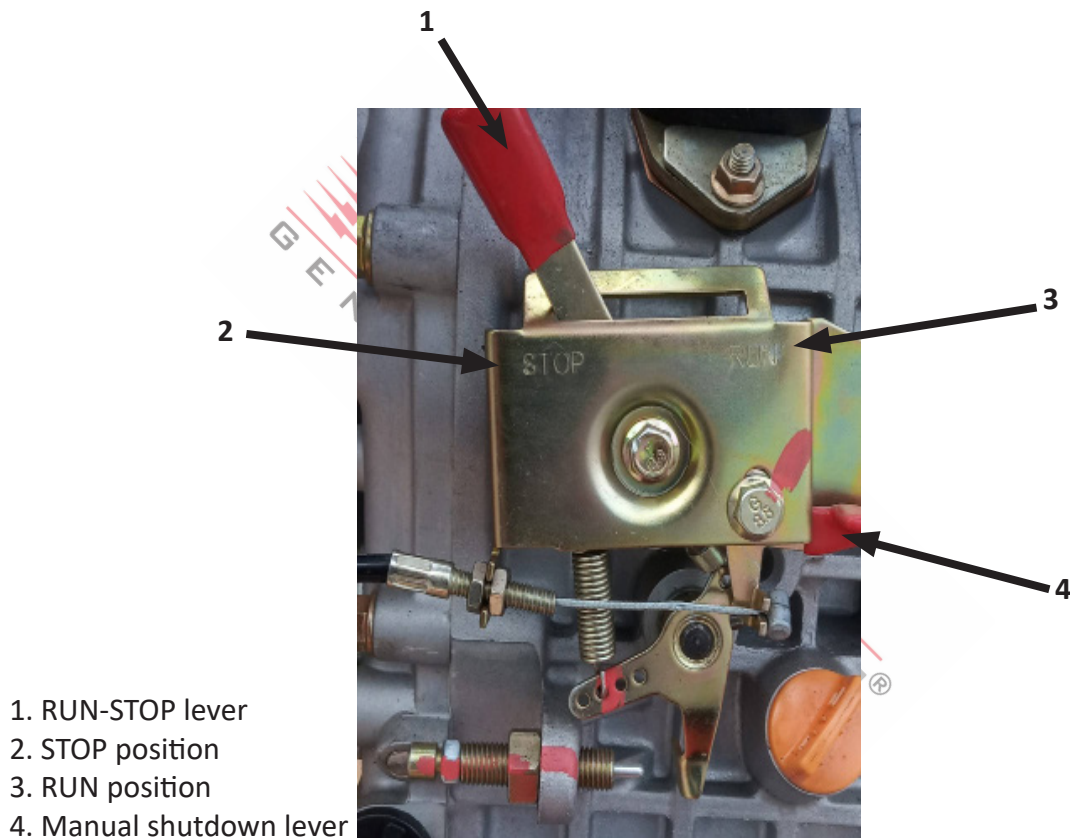
START-UP AND SHUT-DOWN INSTRUCTIONS FOR GP7000/GP7500/BGB9000 GEN-SET TYPE

In order to start the diesel generator make sure that the following steps have taken place:

1. a) The oil container has been properly filled, b) adequate diesel fuel has been supplied to the fuel tank, c) the battery has been correctly connected.

2. Place the **RUN-STOP lever (1)** in the **RUN (3)** position (and release it as soon as you feel that it has “clicked in position” and that it remains firmly in place.)

3. We turn the key in the starter until the diesel generator starts (if it does not start in the first 3 - 4 seconds, release the key for another 3 - 4 seconds (in order to protect the engine) and try again. If you notice difficulties with the gen-set starting, press the decompressor at the same time as the starter when starting the engine, as stated in the instructions.



In order to shut the diesel-generator set down :

1. Turn the key to the **OFF** position and the gen-set shuts down.

2. If the diesel-generator set does not shut down press the **manual shutdown lever (4)**, notice that the **RUN-STOP lever (1)** moves to the **STOP (2)** position and the diesel-generator set is subsequently turned off.

ΟΔΗΓΙΕΣ ΑΣΦΑΛΕΙΑΣ

1. Κρατήστε τα παιδιά σε απόσταση ασφαλείας από την γεννήτρια, 2. Μην ακουμπήσετε το κινητήρα και την εξάτμιση όταν η γεννήτρια λειτουργεί ή όταν μόλις την έχετε σβήσει για την αποφυγή εγκαυμάτων. Δώστε προσοχή στα αυτοκόλλητα που βρίσκονται πάνω στην γεννήτρια, 3. Ηλεκτρικά εργαλεία (συμπεριλαμβανομένου του καλωδίου και του βύσματος) θα πρέπει να είναι σε καλή κατάσταση πριν την εκκίνηση, 4. Μια καινούρια ασφάλεια θα πρέπει να είναι στο ίδιο επίπεδο λειτουργίας, χαρακτηριστικών και παραμέτρων με αυτό που αλλάζετε, 5. Λόγω της υψηλής μηχανικής καταπόνησης, μόνο καλώδια με περίβλημα καουτσούκ ή προϊόντα παρόμοια επιτρέπονται στην χρήση, 6. Όταν χρησιμοποιείτε προεκτάσεις καλώδια με διάμετρο 1,5mm² δεν θα πρέπει να είναι μεγαλύτερα από 60m και καλώδια με διάμετρο 2,5mm² δεν θα πρέπει να είναι μεγαλύτερα από 100m, 7. Με την χειροκίνητη εκκίνηση, ο κίνδυνος της αλλαγής κατεύθυνση περιστροφής ξαφνικά πρέπει να αποτραπεί, 8. Κάτω από κανονικές συνθήκες εργασίας, η γεννήτρια θα πρέπει να έχει φορτίο μόνο όσο αναγράφουν οι οδηγίες χρήσης. Στην περίπτωση που οι συνθήκες εργασίας δεν είναι κανονικές η γεννήτρια θα πρέπει να λειτουργεί με μικρότερη εξαγωγή. Όταν η θερμοκρασία, το υψόμετρο και η υγρασία είναι υψηλότερη από τις κανονικές συνθήκες εργασίας η γεννήτρια θα λειτουργεί με μικρότερη εξαγωγή, 9. Πριν τον έλεγχο και την συντήρηση της γεννήτριας, ο κινητήρας θα πρέπει να είναι σταματημένος. Αφαιρέστε το μπουζί και το κλειδί για να σιγουρευτείτε ότι δεν θα ξεκινήσει κατά λάθος η γεννήτρια. Στην συνέχεια ελέγξτε και συντηρήστε την γεννήτρια σύμφωνα με το πρόγραμμα. 10. Εκτός από το καθημερινό έλεγχο και καθαρισμό, ο έλεγχος και οι ρυθμίσεις θα πρέπει να πραγματοποιούνται από εξουσιοδοτημένο τεχνικό προσωπικό. (επικοινωνήστε με τον προμηθευτή σας). 11. Μια καινούρια γεννήτρια θα πρέπει να περάσει από μια περίοδο προσαρμογής τουλάχιστον 30 ωρών όπου η έξοδος δεν θα υπερβαίνει το 75%.

ΕΙΣΑΓΩΓΗ

Η γεννήτρια αυτή πετρελαίου έχει υπέρ-ελαφρύ, αερόψυκτο, 4-χρονο κινητήρα πετρελαίου άμεσου ψεκασμού και διακρίνεται από δύο τρόπους εκκίνησης, εκκίνηση με χειρόμιζα και ηλεκτρική εκκίνηση με μίζα. Είναι εξοπλισμένη με μεγάλη δεξαμενή χωρητικότητας καυσίμου, προστασία κυκλώματος, συσκευή διπλής εξόδου τάσης εναλλασσόμενου και συνεχούς ρεύματος, συναγερμό χαμηλής πίεσης λαδιού και συσκευή αυτόματης διακοπής. Η γεννήτρια πετρελαίου χρησιμεύει για την παροχή εφεδρικού ηλεκτρικής ενέργειας όπου απαιτηθεί. Το εγχειρίδιο αυτό περιγράφει τον τρόπο λειτουργίας της νηζελογεννήτριας. Μελετήστε το εγχειρίδιο πριν χρησιμοποιήσετε τη γεννήτρια πετρελαίου ώστε να διασφαλιστεί η σωστή λειτουργία. Ακολουθήστε τις οδηγίες προσεκτικά προκειμένου να διατηρηθεί η νηζελογεννήτρια στην βέλτιστη δυνατή κατάσταση λειτουργίας, και να παραταθεί η διάρκεια της. Επικοινωνήστε απευθείας με αντιπρόσωπό μας ή την εταιρεία μας για οποιοδήποτε σχετικό ζήτημα.

Απεικόνιση σειράς νηζελογεννητριών

Τύπος ανοικτού πλαισίου



Κλειστός τύπος (αθόρυβη λειτουργία)

Βασικές παράμετροι

Το genset μπορεί να παράγει την ονομαστική ισχύ εξόδου κάτω από τις ακόλουθες συνθήκες:

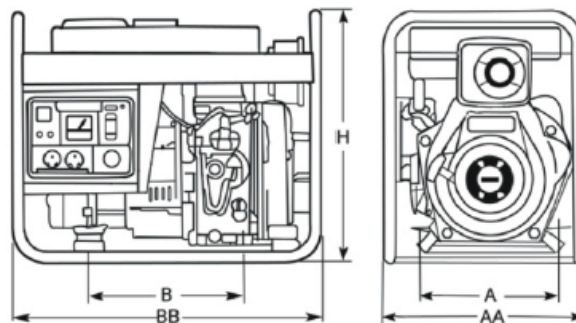
Υψόμετρο (m)	Θερμοκρασία (°C)	Σχετική υγρασία
0	+20	60%

Το genset μπορεί να παράγει καθορισμένη ισχύ εξόδου και να λειτουργεί αξιόπιστα κάτω από τις ακόλουθες συνθήκες:

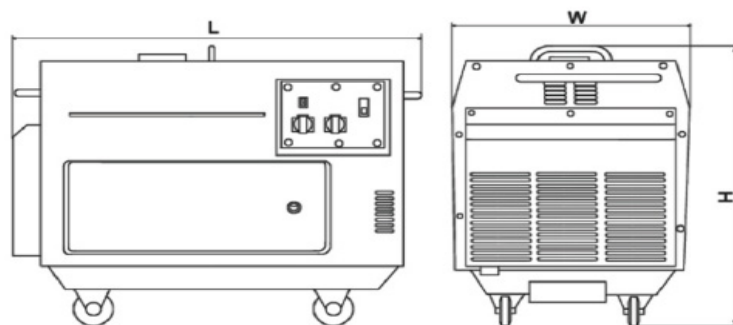
Υψόμετρο (m)	Θερμοκρασία (°C)	Σχετική υγρασία
< 1000 (m)	5 - 40	90%

Πλαίσιο και διαστάσεις εγκατάστασης

- Πλαίσιο και διαστάσεις εγκατάστασης γεννήτριας πετρελαίου (ανοικτού τύπου) (αναλόγως του μοντέλου)

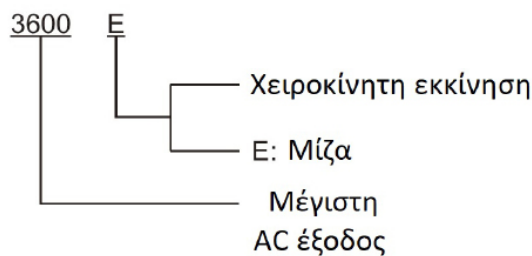


- Πλαίσιο και διαστάσεις εγκατάστασης γεννήτριας πετρελαίου (κλειστού τύπου)

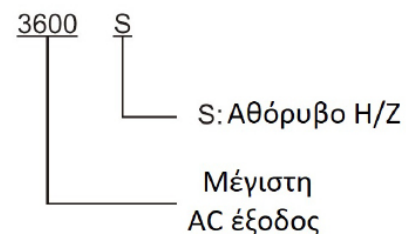


- Μοντέλο και κωδικός γεννήτριας

ΑΝΟΙΚΤΟΥ ΤΥΠΟΥ



ΚΛΕΙΣΤΟΥ ΤΥΠΟΥ



Λειτουργία Η/Ζ

Διαβάστε και κατανοήστε τις οδηγίες χρήσης ώστε να εξασφαλίσετε στοιχειώδη ασφαλή λειτουργία και δώστε προσοχή στις κύριες λειτουργίες της γεννήτριας καθώς υπάρχει κίνδυνος προσωπικού τραυματισμού και υλικών ζημιών.

Αποφυγή φωτιάς

Το καύσιμο της γεννήτριας είναι το πετρέλαιο, δεν πρέπει να χρησιμοποιήσετε βενζίνη, κηροζίνη κλπ. Στεγνώστε καλά τα καύσιμα που έχουν διαρρεύσει / χυθεί με ένα καθαρό πανί. Κρατήστε βενζίνη, κηροζίνη, σπρίττα και άλλα εύφλεκτα υλικά μακριά από την γεννήτρια διότι η θερμοκρασία γύρω από την εξάτμιση ανεβαίνει σημαντικά κατά την χρήση. Για την αποφυγή φωτιάς και για να έχετε επαρκή εξαερισμό, κρατήστε την γεννήτρια τουλάχιστον 1,5 μέτρο μακριά από κτήρια και άλλα εξαρτήματα κατά την λειτουργία. Λειτουργήστε την γεννήτρια σε επίπεδη επιφάνεια, μπορεί να χυθούν καύσιμα εάν γείρετε την γεννήτρια.

Αποφυγή εισπνοής καυσαερίων

Τα καυσαέρια περιέχουν μονοξείδιο του άνθρακα (δηλητηριώδες αέριο). Μην χρησιμοποιείτε την γεννήτρια σε χώρους με κακό εξαερισμό. Εάν δεν μπορείτε να αποφύγετε την εσωτερική χρήση, παρέχετε πάντοτε επαρκή εξαερισμό για λόγους ασφαλείας.

Αποφυγή εγκαυμάτων

Μην ακουμπάτε την εξάτμιση, όταν η γεννήτρια λειτουργεί ή είναι ζεστή, καθώς αναμένεται να είναι καυτή.

Αποφυγή ηλεκτροπληξίας, βραχυκυκλωμάτων

Για την αποφυγή ηλεκτροπληξίας ή βραχυκυκλώματος μην ακουμπάτε την γεννήτρια όταν είναι βρεγμένη ή όταν τα χέρια σας είναι βρεγμένα. Η γεννήτρια δεν είναι αδιάβροχη, για το λόγο αυτό δεν θα πρέπει να χρησιμοποιείται σε χώρο όπου είναι εκτεθειμένη στην βροχή, στο χιόνι ή την υγρασία.

ΠΡΟΣΟΧΗ: Οι περισσότερες συσκευές χρειάζονται περισσότερα από τα αναγραφόμενα Watt για την εκκίνησή τους. Μην υπερβαίνετε το όριο ισχύος για κάθε πρίζα.

Η γεννήτρια θα πρέπει να είναι γειωμένη για την αποφυγή ηλεκτροπληξίας. Συνδέστε ένα κατάλληλου μήκους καλώδιο μεταξύ του ακροδέκτη γείωσης της γεννήτριας και μια εξωτερικής συσκευής γείωσης. Δείτε τις ακόλουθες εικόνες: Μην συνδέσετε άλλες συσκευές/διατάξεις στην γεννήτρια πριν την εκκίνησή της.

Άλλα σημαντικά θέματα ασφαλείας

Να γνωρίζετε πώς να σταματήσετε την γεννήτρια (Η/Ζ) γρήγορα και κατανοήστε πώς να λειτουργείτε κάθε διακόπτη ξεχωριστά. Μην αφήνετε άλλους να χρησιμοποιήσουν την γεννήτρια χωρίς τις κατάλληλες οδηγίες ή επίβλεψη. Φορέστε κράνος, υποδήματα ασφαλείας και αντίστοιχα ρούχα προστασίας, κρατήστε κατοικίδια και παιδιά μακριά από την γεννήτρια κατά την λειτουργία της.



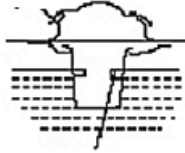
Φόρτιση μπαταρίας

Η μπαταρία περιέχει οξέα. Προστατεύστε τα μάτια, το δέρμα και τα ρούχα σας. Στην περίπτωση επαφής, καθαρίστε με άφθονο νερό και επικοινωνήστε με τον ιατρό σας, ειδικά σε τυχόν επαφή με τα μάτια. Οι μπαταρίες παράγουν αέριο υδρογόνο που μπορεί να προκαλέσει φωτιά ειδικά κατά την φόρτιση. Φορτίστε την μπαταρία σε καλά αεριζόμενο χώρο. Όταν μια περιφερειακή συσκευή χρησιμοποιεί μια γεννήτρια, μην την αποσυνδέετε, διότι μπορεί να προκληθεί βλάβη στην εν λόγω περιφερειακή συσκευή.

Προετοιμασία πριν την εκκίνηση / Επιλογή και χειρισμός καυσίμου

Ρεζερβουάρ: Μόνο πετρέλαιο μπορεί να χρησιμοποιηθεί. Το καύσιμο θα πρέπει να φιλτραρισθεί. Τα καύσιμα θα πρέπει να είναι καθαρά, χωρίς νερό και σκόνες, διότι μπορεί να προκληθεί ζημιά στην αντλία και στο μπεκ.

ΠΡΟΣΟΧΗ: Γεμίστε το ρεζερβουάρ μέχρι το σημάδι που βρίσκεται στο εσωτερικό του φίλτρου του ρεζερβουάρ και όχι πέρα τούτου.

**Φίλτρο αέρος:**

Μην πλένετε το φίλτρο αέρος με απορρυπαντικό. Αλλάξτε το φίλτρο όταν η εξαγωγή μειωθεί ή όταν το χρώμα στα καυσαέρια αλλάξει.

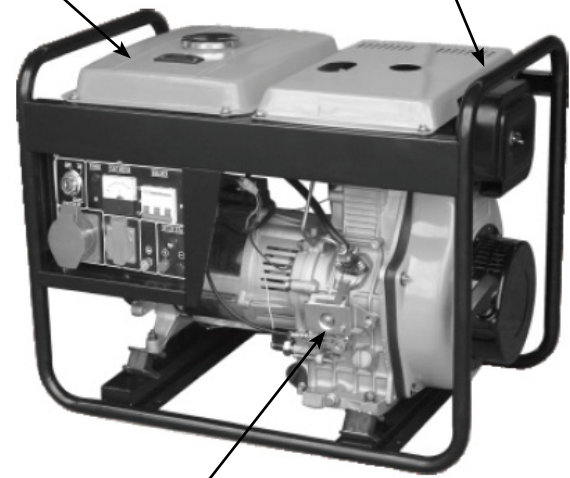
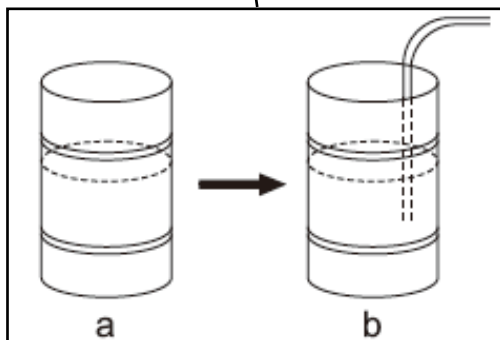
ΠΡΟΣΟΧΗ

- Μην καπνίζετε και μην δημιουργείτε σπίθες στο χώρο όπου συμπληρώνετε καύσιμα στον κινητήρα ή στο χώρο όπου αποθηκεύετε τα καύσιμα.

- Μην χύνετε καύσιμα όταν γεμίζετε την δεξαμενή της ντηζελογεννήτριας, σιγουρευτείτε ότι η τάπα είναι καλά τοποθετημένη.

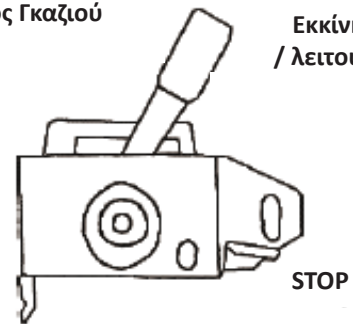
a. Αφού προμηθευτείτε καύσιμα, αφήστε τα να "κάτσουν" για 3 - 4 μέρες.

b. Μετά από 3 - 4 μέρες: τοποθετήστε ένα σωλήνα απορρόφησης στην μέση του δοχείου (το νερό και η σκόνη συσσωρεύονται στο κάτω μέρος του δοχείου).



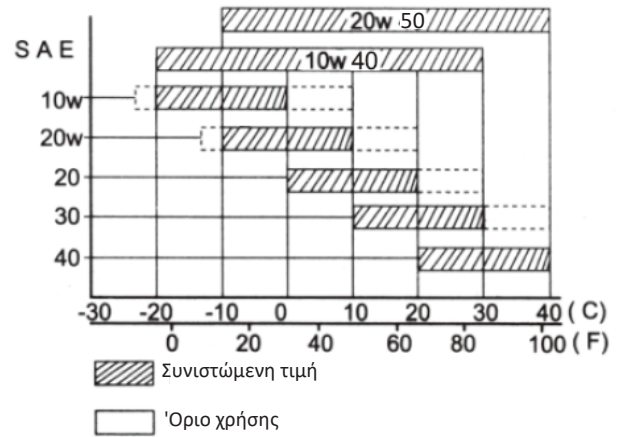
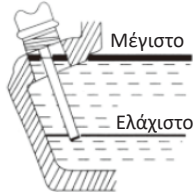
Μοχλός Γκαζιού

Εκκίνηση / λειτουργία



Επιλογή και χειρισμός λαδιού

Εισαγωγή λιπαντικού : Τοποθετήστε την νηζελογεννήτρια σε επίπεδη επιφάνεια, γεμίστε με λάδι δια μέσου της εισαγωγής λαδιού του Η/Ζ. Για να ελέγξετε το επίπεδο του λαδιού, απλά τοποθετήστε τον δείκτη μέσα στην εισαγωγή. Μην βιδώνετε τον δείκτη.

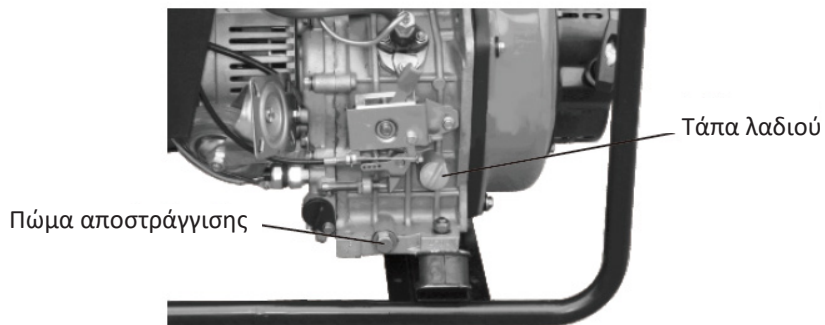


Τίποτα δεν επηρεάζει περισσότερο την λειτουργία της νηζελογεννήτριας (Η/Ζ) από το λιπαντικό που χρησιμοποιείτε. Εάν το λάδι καταναλωθεί ή εάν δεν αλλάζετε το λάδι τακτικά υπάρχει κίνδυνος εμπλοκής του πιστονιού ή άλλης ζημιάς στον κινητήρα. Ο χρόνος ζωής της νηζελογεννήτριας (Η/Ζ) θα μειωθεί αισθητά.



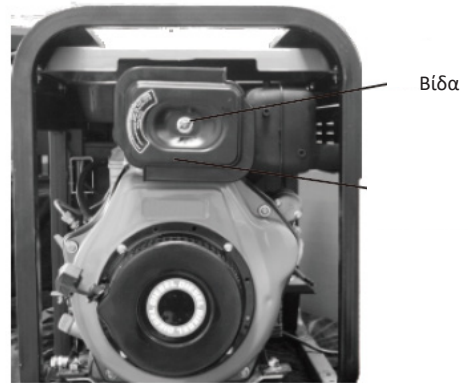
Σιγουρευτείτε ότι ελέγχετε συχνά το επίπεδο του λαδιού και συμπληρώστε μέχρι το επιθυμητό επίπεδο πριν να ξεκινήσετε το Η/Ζ ακόμα και είναι εξοπλισμένο με ασφάλεια λαδιού. Να αδειάζετε το λάδι όταν ο κινητήρας είναι ζεστός, καθώς είναι δύσκολο να πραγματοποιηθεί η ενέργεια αυτή όταν ο κινητήρας είναι κρύος.

ΠΡΟΣΟΧΗ: Μην συμπληρώνετε λάδι στον κινητήρα κατά την λειτουργία του!

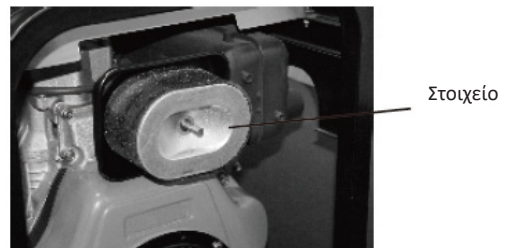


Έλεγχος φίλτρου αέρος

(1) Ξεβιδώστε την βίδα, βγάλτε το κάλυμμα του φίλτρου και αφαιρέστε το στοιχείο. Μην πλύνετε το φίλτρο με απορρυπαντικό. Το φίλτρο αέρος θα πρέπει να αλλάξει όταν η εξαγωγή της γεννήτριας μειωθεί ή το χρώμα το καυσαερίων αλλάξει.



Ποτέ μην λειτουργείτε το Η/Ζ χωρίς το στοιχείο φίλτρου αέρα καθώς αυτό θα μπορούσε να προκαλέσει ραγδαία φθορά μηχανής.

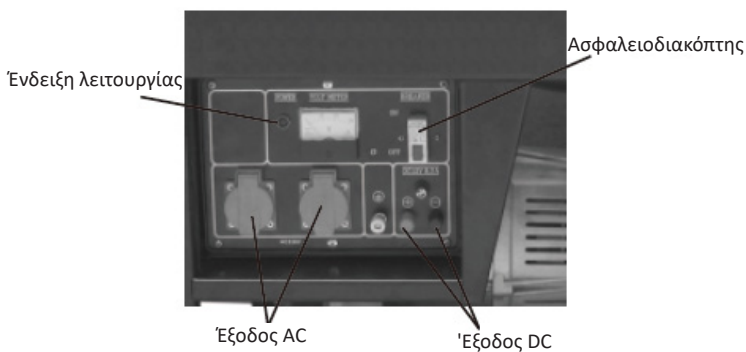


(2) Τοποθετήστε το κάλυμμα του φίλτρου και σφίξτε ξανά την βίδα.



Έλεγχος γεννήτριας

Σβήστε την γεννήτρια και αφαιρέστε τα φορτία (όπως τους διακόπτες του κινητήρα κλπ.)



Σιγουρευτείτε ότι έχετε σβήσει τον κεντρικό διακόπτη πριν εκκινήσετε την γεννήτρια. Εάν ο διακόπτης δεν είναι στην θέση OFF η απότομη εφαρμογή φορτίου μπορεί να είναι επικίνδυνη όταν ξεκινήσει ο κινητήρας.

Χειρισμός γεννήτριας διπλής τάσης

Λειτουργία του διακόπτη

Η ασφάλεια στον πίνακα ελέγχου θα πρέπει να χρησιμοποιείται όταν λειτουργείτε το ρεύμα AC, ο διακόπτης θα πρέπει να είναι στην θέση OFF πριν ξεκινήσετε την γεννήτρια. Αφού ξεκινήσετε την γεννήτρια θα πρέπει οι στροφές να φτάσουν στο μέγιστο και στην συνέχεια να τοποθετήσετε τον διακόπτη στην θέση ON, έτσι ώστε να μπορείτε να χρησιμοποιήσετε τις δύο πρίζες. Τοποθετήστε τον διακόπτη στην θέση OFF όταν χρησιμοποιείτε 12V για φόρτιση. Η έξοδος 12V μπορεί να χρησιμοποιηθεί για φόρτιση 12V, ο χρήστης μπορεί να παρέχει διακόπτη φόρτισης για την ενεργοποίηση και την παύση της φόρτισης.

Τα καύσιμα και το λάδι κινητήρα έχουν ήδη αποστραγγιστεί πριν από την έξοδο από το εργοστάσιο

Για να ελέγξετε τον αγωγό πετρελαίου και να διαπιστώσετε εάν υπάρχει αέρας αναμειγμένος στον αγωγό, και σε περίπτωση που όντως υπάρχει, αποστραγγίστε τον αέρα από τον αγωγό πριν από τον ανεφοδιασμό και την εκκίνηση του κινητήρα. Η μέθοδος είναι η εξής: χαλαρώστε το παξιμάδι σύνδεσης μεταξύ της αντλίας ψεκασμού και του αγωγού και στη συνέχεια αποστραγγίστε τον αέρα μέχρι να μην υπάρχουν φυσαλίδες αέρα στο καύσιμο.

Επιθεώρηση και λειτουργία του κινητήρα ντίζελ

Σύστημα προειδοποίησης χαμηλής στάθμης λαδιού/συσκευή διακοπής.

Η συσκευή λειτουργεί για να διακόψει αυτόματα τη λειτουργία του κινητήρα όταν η πίεση λαδιού πέσει κάτω από το ρυθμιστικό επίπεδο και για την αποτροπή της σφράγισης του κινητήρα όταν υπάρχει έλλειψη λιπαντικού λαδιού.

Η θερμοκρασία του λαδιού θα αυξηθεί πολύ υψηλά εάν ο κινητήρας λειτουργεί με ανεπαρκές λιπαντικό λάδι. Από την άλλη πλευρά η υπερβολική ποσότητα λαδιού είναι επικίνδυνη καθώς το λάδι μπορεί να καεί και να προκαλέσει ξαφνική και υπερβολική αύξηση των στροφών του κινητήρα, οπότε πριν από τη λειτουργία του μηχανήματος, βεβαιωθείτε ότι έχετε ελέγξει το λάδι και ότι παρέχετε λάδι στην καθορισμένη στάθμη.

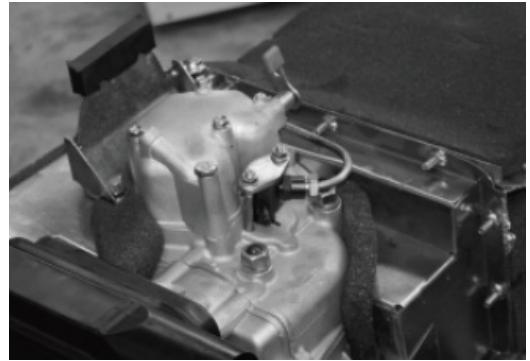
Πώς να ανοίξετε την πόρτα του πλαισίου και το κάλυμμα κλειστού τύπου της νηζελογεννήτριας.

- (1) Ανοίγετε την πόρτα θαλάμου, ανασηκώνοντας την πόρτα, και διεξάγετε καθημερινό έλεγχο.



(2) Ξεοφίξτε την βίδα και ανοίξτε το κάλυμμα για να ελέγξετε το φίλτρο αέρος.

(3) Ελέγξτε το εξωτερικό κάλυμμα του ακροφυσίου, χαλαρώστε το παξιμάδι και ανοίξτε το κάλυμμα.



Λειτουργία προσαρμογής κινητήρα ("στρώσιμο" κινητήρα).

Η εφαρμογή μεγάλων φορτίων μπορεί να μικρύνει την διάρκεια ζωής του κινητήρα όταν η νηζελογεννήτρια (H/Z) είναι καινούρια. Ακολουθήστε την λεγόμενη διαδικασία "στρωσίματος" (προσαρμογής) για τις πρώτες 20 ώρες λειτουργίας.

- (1) Μην εφαρμόζετε μεγάλα φορτία κατά την περίοδο στρωσίματος.
- (2) Να αλλάζετε το λάδι κινητήρα τακτικά.

Να αλλάζετε το λάδι του κινητήρα κάθε 10 ώρες ή μήνα μετά από την αρχική χρήση και κάθε 1,5 μήνα ή 40 ώρες (λειτουργίας) κατόπιν.

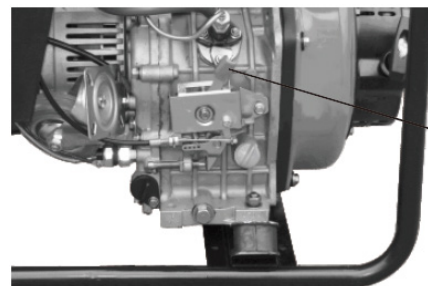
Εκκίνηση νηζελογεννήτριας

Εκκίνηση με χειρόμιζα (χειροκίνητα)

Η νηζελογεννήτρια ξεκινά με τον ακόλουθο τρόπο:

- (1) Ανοίξτε την βάνα καυσίμου (στην θέση "ON").
- (2) Τοποθετήστε τον μοχλό γκαζιού στην θέση λειτουργίας.
- (3) Τραβήξτε την λαβή της χειρόμιζας

1. Τραβήξτε την χειρόμιζα μέχρι να νιώσετε αντίσταση και επιστρέψτε την στην αρχική της θέση.
2. Πιέστε τον αποσυμπιεστή (θα επιστρέψει όταν τραβήξετε την χειρόμιζα).



Μοχλός ταχυτήτων

3. Τραβήξτε την χειρόμιζα δυνατά.

Μην αφήνετε την λαβή να γυρίσει απότομα προς την γεννήτρια. Υπάρχει κίνδυνος ζημιάς.

ΠΡΟΣΟΧΗ: Μην τραβήξετε την χειρόμιζα καθώς λειτουργεί η γεννήτρια διότι θα προκληθεί ζημιά στο μηχάνημα.

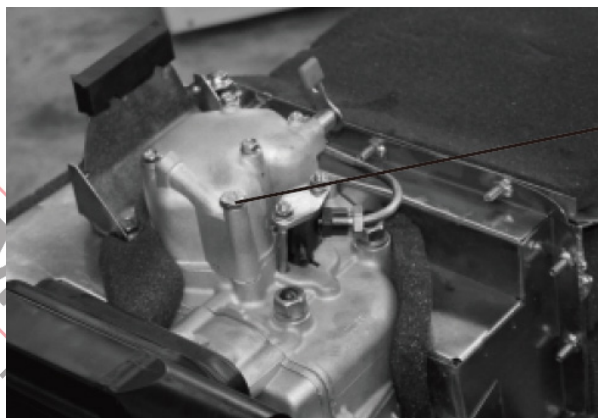


Μοχλός αποσυμπίεσης

4. Σε συνθήκες παγωνιάς, όταν δυσκολεύεστε να ξεκινήσετε την γεννήτρια, αφαιρέστε την τάπα από το κέλυφος του μπεκ και προσθέστε 2cc λαδιού.

Τοποθετήστε την τάπα πριν την εκκίνηση.

Η τάπα πρέπει να είναι πάντα τοποθετημένη διαφορετικά μπορεί να εισέλθουν νερό, χώμα, ακαθαρσίες κ.α. στον κινητήρα και να προκληθεί βλάβη στην μηχανή.



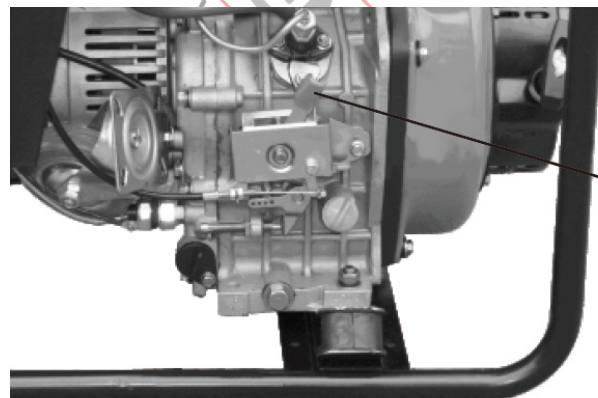
Τάπα

Εκκίνηση με μίζα

1. **Εκκίνηση** (η διαδικασία εκκίνησης με μίζα είναι ίδια με εκείνη της εκκίνησης με χειρόμιζα).

- (1) Ανοίξτε την βάνα.
- (2) Τοποθετήστε τον μοχλό γκαζιού στην θέση λειτουργίας.
- (3) Γυρίστε την μίζα προς τα δεξιά στην θέση "start".
- (4) Βγάλτε το χέρι σας από το κλειδί μόλις ξεκινήσει το μηχάνημα και αφήστε το να επιστρέψει στην αρχική του θέση.
- (5) Εάν το μηχάνημα δεν ξεκινήσει μετά από 10 δευτερόλεπτα, περιμένετε περίπου 15 δευτερόλεπτα πριν δοκιμάσετε ξανά.

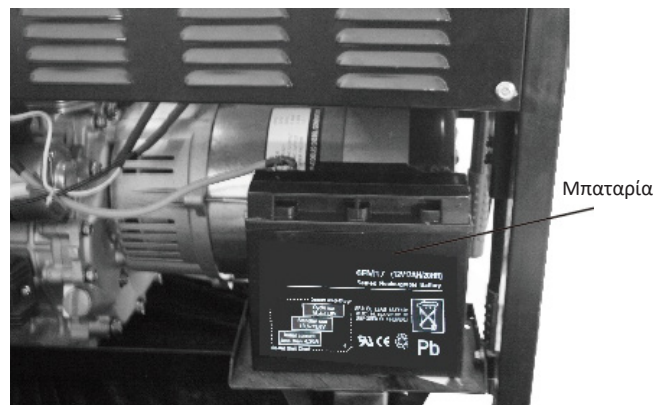
ΠΡΟΣΟΧΗ : Εάν η εκκίνηση διαρκέσει μεγάλο διάστημα, θα παρουσιαστεί πρόβλημα στην μπαταρία. Αφήστε το κλειδί στην θέση ON καθώς λειτουργεί η γεννήτρια.



Μοχλός ταχυτήτων

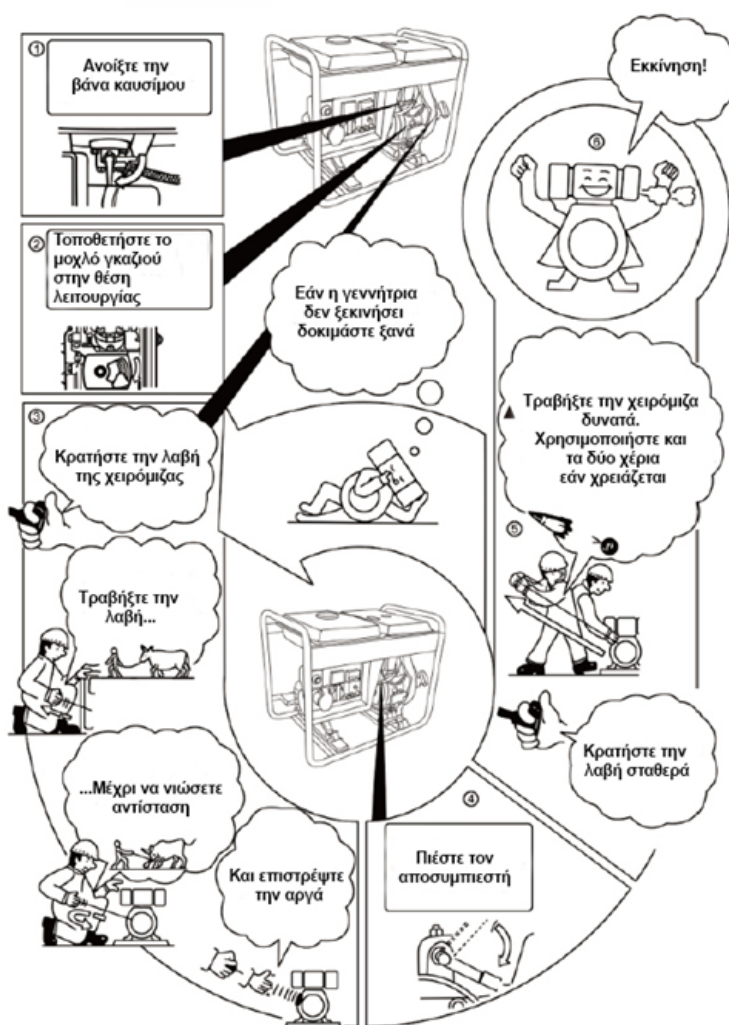
Μπαταρία

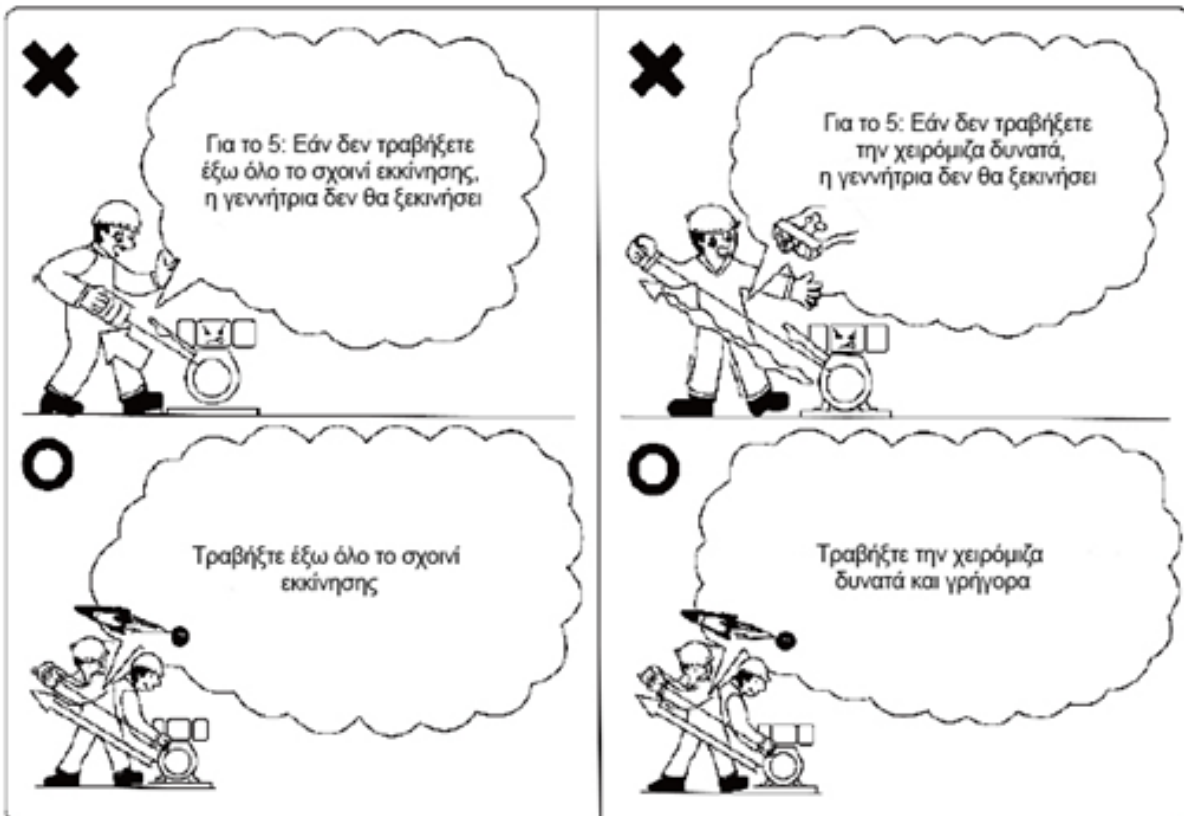
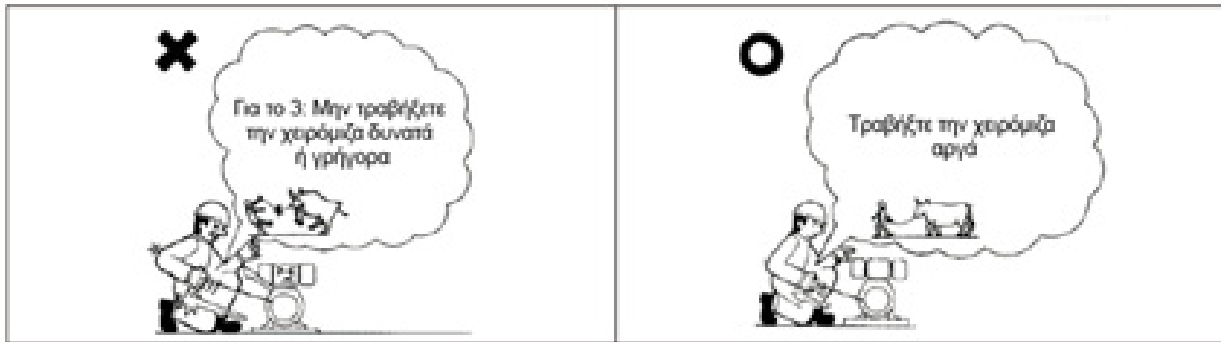
Ελέγξτε την κατάσταση μπαταρίας μια φορά το μήνα διακρίνοντας τα εξής χρώματα εξωτερικώς 1. Πράσινο χρώμα, μπαταρία OK, 2. Άσπρο χρώμα, η μπαταρία χρειάζεται φόρτιση, 3. Μαύρο χρώμα: η μπαταρία πρέπει να αντικατασταθεί.



Διαδικασία εκκίνησης νηζελογεννήτριας

Η διαδικασία αυτή προβλέπεται και είναι κατάλληλη μόνο για νηζελογεννήτριες ανοικτού τύπου.





Πώς να λειτουργήσετε ορθά την ντηζελογεννήτρια

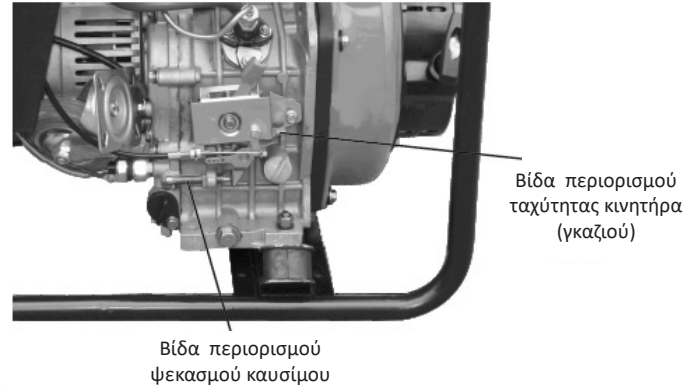
Λειτουργία

1. "Ζεστάνετε" την ντηζελογεννήτρια χωρίς φορτίο για 3 λεπτά.
2. Η ντηζελογεννήτρια είναι εξοπλισμένη με ασφάλεια χαμηλής ποσότητας λαδιού. Η ντηζελογεννήτρια θα σταματήσει αυτόματα σε περίπτωση χαμηλής στάθμης λαδιού. Η γεννήτρια θα σταματήσει αυτόματα αν την ξεκινήσετε ξανά χωρίς να συμπληρώσετε λάδι. Ελέγξτε το επίπεδο λαδιού και συμπληρώστε με το κατάλληλο λάδι.
3. Μην ρυθμίσετε την βίδα περιορισμού γκαζιού του κινητήρα ή την βίδα περιορισμού ψεκασμού καυσίμου (έχουν ρυθμιστεί από το εργοστάσιο) διαφορετικά μπορεί να επηρεάσετε την λειτουργία της μηχανής.

Έλεγχος κατά την λειτουργία :

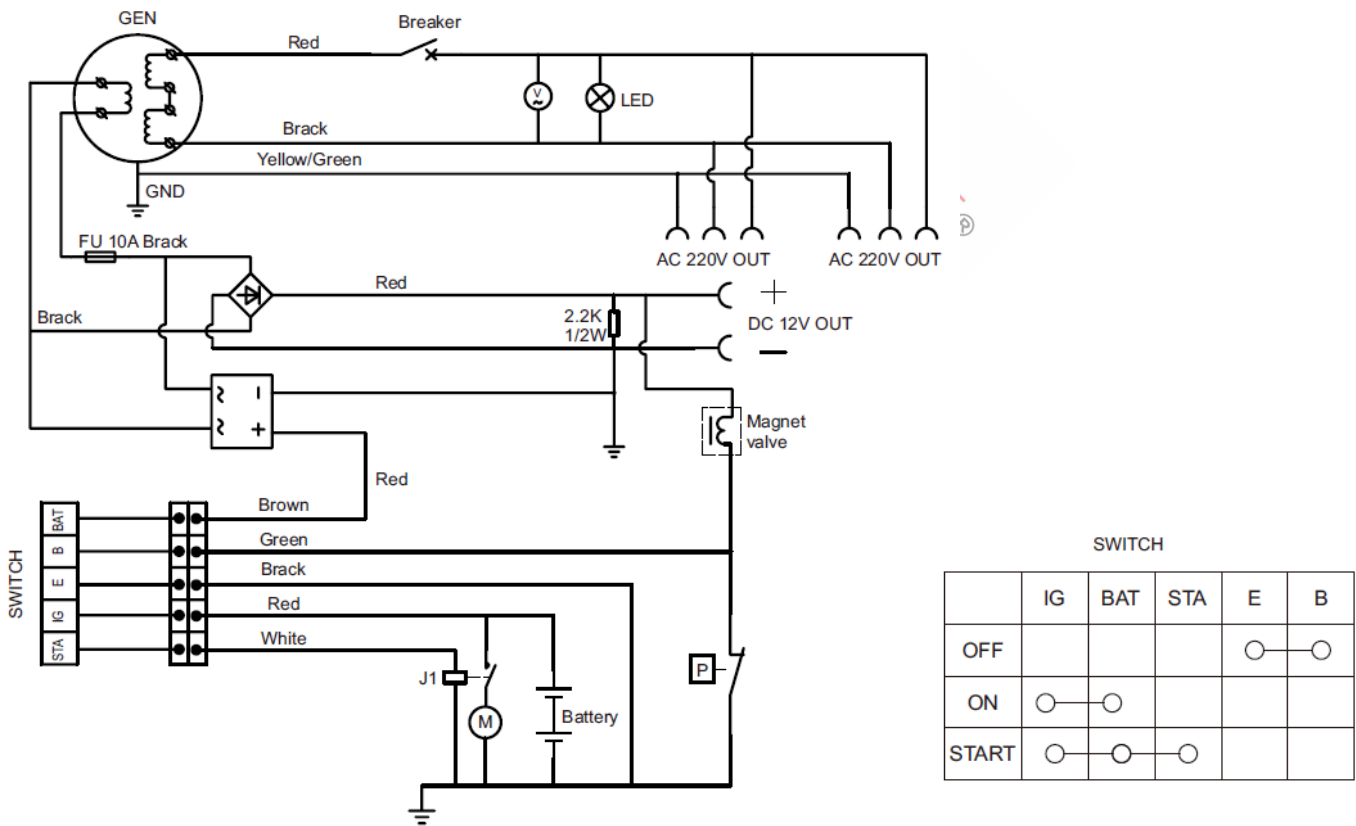
- (1) Περίεργος θόρυβος ή κραδασμοί ;
- (2) Ο κινητήρας ρετάρει ή λειτουργεί περίεργα ;
- (3) Το χρώμα των καυσαερίων (μαύρο ή άσπρο ;).

Εάν παρατηρήσετε κάποιο από τα παραπάνω φαινόμενα, σταματήστε την ντηζελογεννήτρια και συμβουλευτείτε κάποιο εξουσιοδοτημένο σέρβις.



Φορτία

Η προσθήκη φορτίων λαμβάνει χώρα σύμφωνα με τις προκαθορισμένες παραμέτρους. Παρατηρήστε το ακόλουθο ηλεκτρολογικό διάγραμμα:



Εφαρμογή AC

- (1) Ξεκινήστε την γεννήτρια και σιγουρευτείτε ότι η ένδειξη λειτουργίας ανάβει. Εάν δεν ανάβει το νήμα μπορεί να έχει καεί.
- (2) Η ταχύτητα της γεννήτριας θα πρέπει να φτάσει την αναγραφόμενη ταχύτητα (μοχλός στο τέρμα). Για την αναγραφόμενη ταχύτητα δείτε τεχνικά χαρακτηριστικά στα αρχικά κεφάλαια.
- (3) Μπορείτε να προσθέσετε φορτίο όταν η ένδειξη στο βολτόμετρο δείχνει 230 +/-10% (50Hz) στον πίνακα ελέγχου.
- (4) Συνδέστε την συσκευή.

ΠΡΟΣΟΧΗ: Μην εκκινείτε δύο ή περισσότερα μηχανήματα ταυτόχρονα. Μην χρησιμοποιείτε τους προβολείς μαζί με άλλα μηχανήματα.

(5) Βεβαιωθείτε ότι όλες οι συσκευές βρίσκονται σε καλή κατάσταση λειτουργίας πριν τις συνδέσετε στη νηξελογεννήτρια, εάν μια συσκευή αρχίσει να λειτουργεί μη φυσιολογικά, λειτουργεί υποτονικά ή σταματήσει ξαφνικά, απενεργοποιήστε αμέσως τη γεννήτρια. Στη συνέχεια αποσυνδέστε τη συσκευή και εξετάστε την για ενδείξεις δυσλειτουργίας. Εάν η υπερφόρτωση του κυκλώματος ενεργοποιήσει τις προστασίες μειώστε το ηλεκτρικό φορτίο στο κύκλωμα και περιμένετε μερικά λεπτά πριν συνεχίσετε τη λειτουργία. Εάν η ένδειξη του βολτομέτρου είναι πολύ χαμηλή ή πολύ υψηλή, σταματήστε τη συσκευή και εξετάστε την ενδελεχώς προκειμένου για την ανεύρεση αιτιών δυσλειτουργίας.

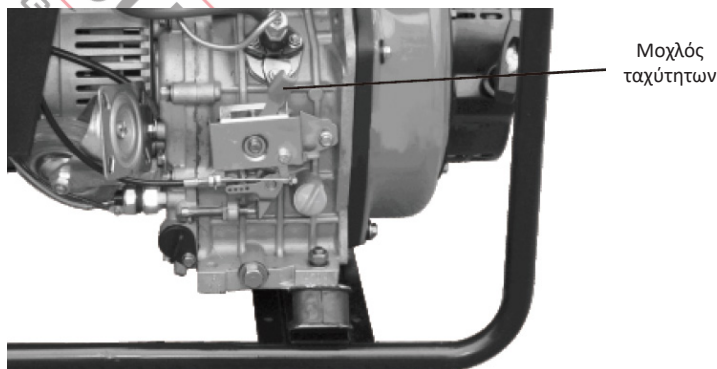
Εφαρμογή DC

Οι ακροδέκτες DC μπορούν να χρησιμοποιηθούν μόνο για τη φόρτιση μπαταριών τύπου αυτοκινήτου 12 volt: 1) Όταν χρησιμοποιείτε μπαταρίες τύπου αυτοκινήτου με καλώδια μπαταρίας, βεβαιωθείτε ότι έχετε αποσυνδέσει το καλώδιο του αρνητικού πόλου της μπαταρίας από την μπαταρία πριν από τη φόρτιση, 2) Βάλτε μπροστά τον κινητήρα, 3) Συνδέστε το καλώδιο φόρτισης στους ακροδέκτες της μπαταρίας και στους ακροδέκτες DC της γεννήτριας. Συνδέστε τον θετικό ακροδέκτη της μπαταρίας στον θετικό ακροδέκτη της γεννήτριας. Μην αντιστρέψετε τα καλώδια φόρτισης, διαφορετικά θα προκληθεί σοβαρή ζημιά στη γεννήτρια ή/και τη μπαταρία. Μην αφήνετε τα ελεύθερα άκρα του καλωδίου να αγγίζουν το ένα το άλλο. Εάν συμβεί αυτό, θα προκληθεί βραχυκύκλωμα της μπαταρίας. Όταν φορτίζεται μια μπαταρία μεγάλης χωρητικότητας, ρέει υπερβολικό ρεύμα (η τιμή ποικίλλει ανάλογα με την κατάσταση εκφόρτισης) και η ασφάλεια για το συνεχές ρεύμα θα καεί, 4) Οι μπαταρίες παράγουν εκρηκτικά αέρια. Κρατήστε μακριά σπινθήρες, φλόγες και τσιγάρα. Προκειμένου να αποφύγετε την πιθανότητα δημιουργίας σπινθήρα κοντά στην μπαταρία, συνδέστε πάντα τα καλώδια φόρτισης πρώτα στην μπαταρία και μόνο αμέσως μετά στη γεννήτρια. Κατά την αποσύνδεση, θα πρέπει να αποσυνδέετε πρώτα τα καλώδια στη γεννήτρια, 5) Φορτίζετε τη μπαταρία σε καλά αεριζόμενο χώρο. Πριν από τη φόρτιση, αφαιρέστε το καπάκι από κάθε στοιχείο της μπαταρίας. Διακόψτε τη φόρτιση εάν η θερμοκρασία του ηλεκτρολύτη υπερβαίνει τους 45°C.

ΠΡΟΣΟΧΗ: Μην επιχειρήσετε να εκκινήσετε έναν κινητήρα αυτοκινήτου ενώ η γεννήτρια είναι ακόμα συνδεδεμένη με την μπαταρία. Μην χρησιμοποιείτε 12 Volt DC και AC ταυτόχρονα.

Διακοπή λειτουργίας νηξελογεννήτριας

Σημειώστε ότι για την παύση λειτουργίας (όπως επίσης και την εκκίνηση της BGB9000 νηξελογεννήτριας, θα πρέπει προσεκτικά να ακολουθήσετε τρισδηγίες (χρήσης του μοχλού ταχυτήτων). Η θέση εκτός λειτουργίας και η εκκίνηση της BGB95000 λαμβάνει χώρα με την αντίστοιχο διακόπτης εκκίνησης/θέσης εκτός λειτουργίας (ON/OFF)



Περιοδικοί έλεγχοι και συντήρηση

Οι περιοδικοί έλεγχοι και συντήρηση έχουν πολύ μεγάλη σημασία για την διάρκεια ζωής της νηζελογεννήτριας. Η νηζελογεννήτρια αποτελείται από κινητήρα πετρελαίου- diesel, γεννήτρια, πίνακα ελέγχου και πλαίσιο. Διαβάστε προσεκτικά τις οδηγίες για όλα τα συστατικά μέρη του μηχανήματος. Πάντοτε να θέτετε εκτός λειτουργίας την νηζελογεννήτρια πριν πραγματοποιήσετε οποιοσδήποτε εργασίες συντήρησης.

Σιγουρευτείτε ότι ο χώρος όπου θα λειτουργεί η νηζελογεννήτρια είναι καλά αεριζόμενος. Τα καυσαέρια που εκπέμπει ο κινητήρας περιέχουν δηλητηριώδες μονοξείδιο του άνθρακα. Μετά την χρήση, καθαρίστε το μηχάνημα με ένα πανί για να αποφύγετε την διάβρωση και αφαιρέστε τα όποια υπολείμματα ακαθαρσιών.

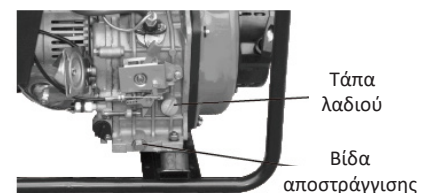
Χρόνος	Χρόνος				
	Ημερησίως	Πρώτος μήνας ή 10 ώρες	Κάθε 1,5 μήνα ή 40 ώρες	Κάθε 4,5 μήνες ή 200 ώρες	Κάθε χρόνο ή 1000 ώρες
Ενέργεια					
Έλεγχος και συμπλήρωση καυσίμου	○				
Άδειασμα ρεζερβουάρ καυσίμου		○			
Έλεγχος και συμπλήρωση λαδιού	○				
Έλεγχος για διαρροή λαδιού	○				
Έλεγχος και σφίξιμο μερών της νηζελογεννήτριας	○			● (σφίξτε τις βίδες κεφαλής)	
Αλλαγή λαδιού		○ (1η φορά)	○ (2η φορά)		
Καθαρισμός φίλτρου αέρα			○ (καθαρίστε)	○ (αντικαταστήστε)	
Αλλαγή φίλτρου αέρα		Συχνότερη συντήρηση σε χώρους με σκόνη		○ (αντικαταστήστε)	
Καθαρισμός φίλτρου καυσίμου		κάθε 100 ώρες το πολύ			
Έλεγχος αντλίας καυσίμου				●	
Έλεγχος μπεκ καυσίμου				●	
Έλεγχος σωλήνα καυσίμου				● (αντικαταστήστε εάν είναι απαραίτητο)	
Ρύθμιση βαλβίδων		● (1η φορά)			
Λείανση βαλβίδων					●
Αλλαγή ελατηρίων πιστονιού					●
Έλεγχος υγρών μπαταρίας				(μηνιαίως)	

○ : δείχνει ποιους ελέγχους να πραγματοποιείτε και πότε

● : υποδεικνύει ότι χρειάζονται ειδικά εργαλεία και γνώσεις, επικοινωνήστε με εξουσιοδοτημένο σέρβις.

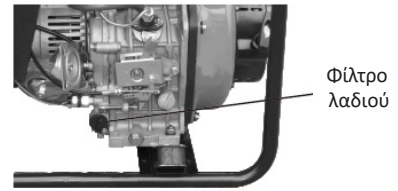
Αλλαγή λαδιών (κάθε 100 ώρες)

Αφαιρέστε την τάπα λαδιού. Αφαιρέστε την βίδα αποστράγγισης και αδειάστε το χρησιμοποιημένο λάδι όταν ο κινητήρας είναι ακόμα ζεστός. Η βίδα αποστράγγισης βρίσκεται στο κάτω μέρος του κινητήρα. Σφίξτε ξανά την βίδα αποστράγγισης και συμπληρώστε με το συνιστώμενο λάδι.



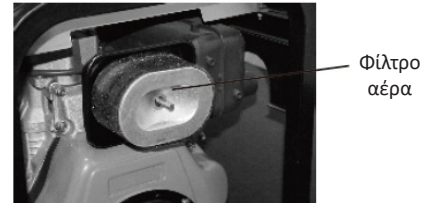
Καθαρισμός φίλτρου λαδιού

- Καθαρίστε το φίλτρο λαδιού κάθε 4 μήνες ή κάθε 200 ώρες λειτουργίας..
- Αντικαταστήστε το φίλτρο λαδιού εφόσον κριθεί απαραίτητο.



Αντικατάσταση φίλτρου αέρα

Μην πλένετε το φίλτρο αέρα με απορρυπαντικό, επειδή πρόκειται για στοιχείο ξηρού τύπου. Να αντικαθιστάτε το φίλτρο αέρα κάθε 4,5 μήνες ή 200 ώρες (ή νωρίτερα αν παρουσιάζει ακαθαρσίες). **ΠΡΟΣΟΧΗ:** Να μην θέτετε ποτέ τον κινητήρα σε λειτουργία χωρίς το φίλτρο αέρα ή με ελαττωματικό φίλτρο αέρα. Αντικαταστήστε το φίλτρο αέρα.



Καθαρισμός και αντικατάσταση του φίλτρου καυσίμου

Το φίλτρο καυσίμου πρέπει επίσης να καθαρίζεται τακτικά για να εξασφαλίζεται η μέγιστη απόδοση του κινητήρα .

- (1) Αδειάστε το καύσιμο από τη δεξαμενή καυσίμου.
- (2) Χαλαρώστε τις μικρές βίδες της βάνας καυσίμου και βγάλτε το φίλτρο από την δεξαμενή. Πλύνετε καλά το φίλτρο με πετρέλαιο ντίζελ. Αφαιρέστε το παξιμάδι ασφάλισης, το τελικό καπάκι και τους δίσκους διαχύτη και καθαρίστε τις εναπόθεσεις άνθρακα.

- Αντικαταστήστε κάθε 100 ώρες-

Σημείωση: Για τη σύσφιξη των βιδών της κυλινδροκεφαλής απαιτείται ειδικό εργαλείο. Μην το κάνετε μόνοι σας.

Έλεγχος μπεκ, αντλίας καυσίμου κλπ. Απαιτείται:

- (1) Ρύθμιση στις βαλβίδες εξαγωγής και εισαγωγής
- (2) Λείανση βαλβίδων
- (3) Αντικατάσταση ελατηρίων πιστονιού.

Όλα τα παραπάνω χρειάζονται ειδικά εργαλεία και γνώσεις. Μην τα επιχειρήσετε μόνοι σας. Επικοινωνήστε με εξουσιοδοτημένο σέρβις.

Έλεγχος και συμπλήρωμα υγρών μπαταρίας και φόρτιση μπαταρίας.

Η νηζελογεννήτρια χρησιμοποιεί μπαταρία 12V. Τα υγρά θα βαίνουν μειούμενα με τις συνεχείς φορτίσεις και αποφορτίσεις. Πριν την εκκίνηση, ελέγξτε την μπαταρία για τυχόν βλάβη καθώς και το επίπεδο ηλεκτρολύτη και συμπληρώστε με αποσταγμένο νερό εάν χρειάζεται. Όταν παρατηρείτε κάποια βλάβη να αλλάζετε την μπαταρία. Προτείνεται μηνιαίως έλεγχος υγρών μπαταρίας.

Συντήρηση για μακροχρόνια αποθήκευση

Εάν η νηζελογεννήτρια πρέπει να αποθηκευτεί για μεγάλο χρονικό διάστημα, πραγματοποιήστε τις παρακάτω προετοιμασίες:

- Λειτουργείστε την νηζελογεννήτρια για 3 λεπτά και σταματήστε την.
- Σταματήστε την νηζελογεννήτρια και ενώ ο κινητήρας είναι ακόμη ζεστός αδειάστε το λάδι, και τοποθετήστε νέο.
- Αφαιρέστε την τάπα από την κεφαλή του κινητήρα και τοποθετήστε 2ml λάδι στον κύλινδρο, και τοποθετήστε ξανά την τάπα.

Συντήρηση θέσης εκκίνησης

1. Χειροκίνητη εκκίνηση: Πιέστε τον αποσυμπιεστή (μη συμπίεσμένη θέση), τραβήξτε την χειρόμυζα 2-3 φορές (μην ξεκινήσετε την νηζελογεννήτρια)
2. Εκκίνηση με μίζα: Όταν ο αποσυμπιεστής είναι στην μη συμπίεσμένη θέση, λειτουργείστε την νηζελογεννήτρια για 2-3 δευτερόλεπτα. Όταν ο διακόπτης είναι στην θέση εκκίνησης μην ξεκινήσετε την νηζελογεννήτρια.
3. Τραβήξτε το αποσυμπιεστή, τραβήξτε την χειρόμυζα αργά. Όταν νιώσετε αντίσταση σταματήστε να τραβάτε (την στιγμή αυτή οι βαλβίδες εισαγωγής και εξαγωγής είναι κλειστές, αποτρέπεται την συσσώρευση σκουριάς).
4. Καθαρίστε και αποθηκεύστε σε στεγνό χώρο.

Συντήρηση & επίλυση αναδυόμενων προβλημάτων

Αιτία		Επιδιόρθωση
Ο κινητήρας δεν μπορεί να ξεκινήσει	Το καύσιμο δεν επαρκεί	Προσθέστε καύσιμο
	Ο διακόπτης δεν είναι στην θέση "ON"	Γυρίστε τον διακόπτη στην θέση "ON"
	Η αντλία υψηλής πίεσης και το ακροφύσιο λαδιού δεν μπορούν να εγχύσουν λάδι ή η ποσότητα λαδιού δεν είναι αρκετή.	Αφαιρέστε το ακροφύσιο λαδιού και επιδιορθώστε το
	Ο μοχλός γκαζιού δεν είναι στην θέση λειτουργίας ("Run")	Τοποθετήστε τον μοχλό γκαζιού στην σωστή θέση
	Επίπεδο λαδιού (ελέγξτε το)	Το επίπεδο λαδιού θα πρέπει να είναι ανάμεσα στο μέγιστο και το ελάχιστο
	Μη επαρκής δύναμη και ταχύτητα με τις οποίες τραβάτε την χειρόμυζα	Πραγματοποιήστε εκκίνηση της νηζελογεννήτριας σύμφωνα με τα συγκεκριμένα βήματα των οδηγιών
	Το ακροφύσιο λαδιού είναι ακαθάρτο	Καθαρίστε το ακροφύσιο λαδιού
	Η μπαταρία δεν παράγει ρεύμα	Φορτίστε την μπαταρία ή αντικαταστήστε την
Η γεννήτρια δεν παράγει ρεύμα	Ο κεντρικός διακόπτης δεν είναι κλειστός	Τοποθετήστε τον κεντρικό διακόπτη στην θέση "ON"
	Η επαφή στην πρίζα δεν είναι καλή	Προσαρμόστε πρίζα και βύσμα
	Δεν επιτυγχάνονται οι ονομαστικές στροφές της νηζελογεννήτριας	Ρυθμίστε την νηζελογεννήτρια σύμφωνα με τις απαιτήσεις

Στην περίπτωση ηλεκτροκόλλησης, εάν το ρεύμα είναι πολύ μεγάλο ή η γεννήτρια σταματήσει λόγω υπερφόρτωσης κατά την ηλεκτροκόλληση, μπορεί να προκληθεί ζημιά στο AVR ή βραχυκύκλωμα. Εάν δεν παράγει ρεύμα η νηζελογεννήτρια, επικοινωνήστε με εξουσιοδοτημένο σέρβις.

- Περαιτέρω ερωτήσεις και προβλήματα -

Εάν αντιμετωπίσετε κάποιο πρόβλημα στην λειτουργία του προϊόντος επικοινωνήστε με τον προμηθευτή σας και αναφέρετε τα παρακάτω στοιχεία:

1. τον τύπο της γεννήτριας
2. το πρόβλημα που αντιμετωπίζετε
3. τον χρόνο λειτουργίας
4. άλλες λεπτομέρειες, για παράδειγμα, πότε παρουσιάστηκε το πρόβλημα, πόσο συχνά κλπ.

1. Λίστα εξαρτημάτων και ανταλλακτικών του μηχανήματος

No.	Όνομα	Μονάδα	Ποσότητα	Παρατηρήσεις
1	Ντηζελογεννήτρια	Σετ	1	
2	Κιτ	Τεμάχιο	1	
3	Πλαστικό κάλυμμα	Τεμάχιο	1	
4	Πιστοποιητικό ποιότητας	Τεμάχιο	1	

2. Έγγραφα

No.	Οδηγίες	Μονάδα	Ποσότητα	Παρατηρήσεις
1	Manual ντηζελογεννήτριας	τεμάχιο	1	

3. Κιτ επισκευής (προαιρετικό)

No.	Όνομα	Μονάδα	Ποσότητα	Παρατηρήσεις
1	Κλειδί 8-10	Τεμάχιο	1	
2	Κλειδί 12-14	Τεμάχιο	1	
3	Κλειδί 17-19	Τεμάχιο	1	
4	Βίδα	Τεμάχιο	1	
5	Πλαστική σακούλα	Τεμάχιο	1	

- ΠΡΟΣΟΧΗ -

1. Το μηχάνημα αυτό είναι σχεδιασμένο για εξωτερική χρήση ή/και σε καλά αεριζόμενο χώρο.
2. Το μηχάνημα προορίζεται για την παραγωγή ηλεκτρικού ρεύματος.
3. Το μηχάνημα αυτό δεν πρέπει να χρησιμοποιείται υπογείως.
4. Το μηχάνημα δεν πρέπει να χρησιμοποιείται κοντά σε εύφλεκτα υλικά.
5. Το μηχάνημα δεν πρέπει σε καμία περίπτωση να συνδέεται με το Δίκτυο Διανομής Ηλεκτρικής Ενέργειας.

- Δήλωση ορίων θορύβου

Επίπεδο θορύβου = 95 dB(A)

Αβεβαιότητα = 1,5 dB(A)

(Μετρήσεις σύμφωνα με το ISO 8528-10 και EN ISO 3744).

- **Σημαντική υπενθύμιση:** όταν λειτουργείτε την ντηζελογεννήτρια θα πρέπει πάντοτε να φοράτε ωτοασπίδες.

*Ο κατασκευαστής διατηρεί το δικαίωμα να πραγματοποιήσει δευτερεύουσες αλλαγές στο σχεδιασμό του προϊόντος και στα τεχνικά χαρακτηριστικά χωρίς προηγούμενη ειδοποίηση, εκτός εάν οι αλλαγές αυτές επηρεάζουν σημαντικά την απόδοση και λειτουργία ασφάλειας των προϊόντων. Τα εξαρτήματα που περιγράφονται / απεικονίζονται στις σελίδες του εγχειριδίου που κρατάτε στα χέρια σας ενδέχεται να αφορούν και σε άλλα μοντέλα της σειράς προϊόντων του κατασκευαστή, με παρόμοια χαρακτηριστικά, και ενδέχεται να μην περιλαμβάνονται στο προϊόν που μόλις αποκτήσατε.

* Για να διασφαλιστεί η ασφάλεια και η αξιοπιστία του προϊόντος καθώς και η ισχύς της εγγύησης όλες οι εργασίες επιδιόρθωσης, ελέγχου, επισκευής ή αντικατάστασης συμπεριλαμβανομένης της συντήρησης και των ειδικών ρυθμίσεων, πρέπει να εκτελούνται μόνο από τεχνικούς του εξουσιοδοτημένου τμήματος Service του κατασκευαστή.

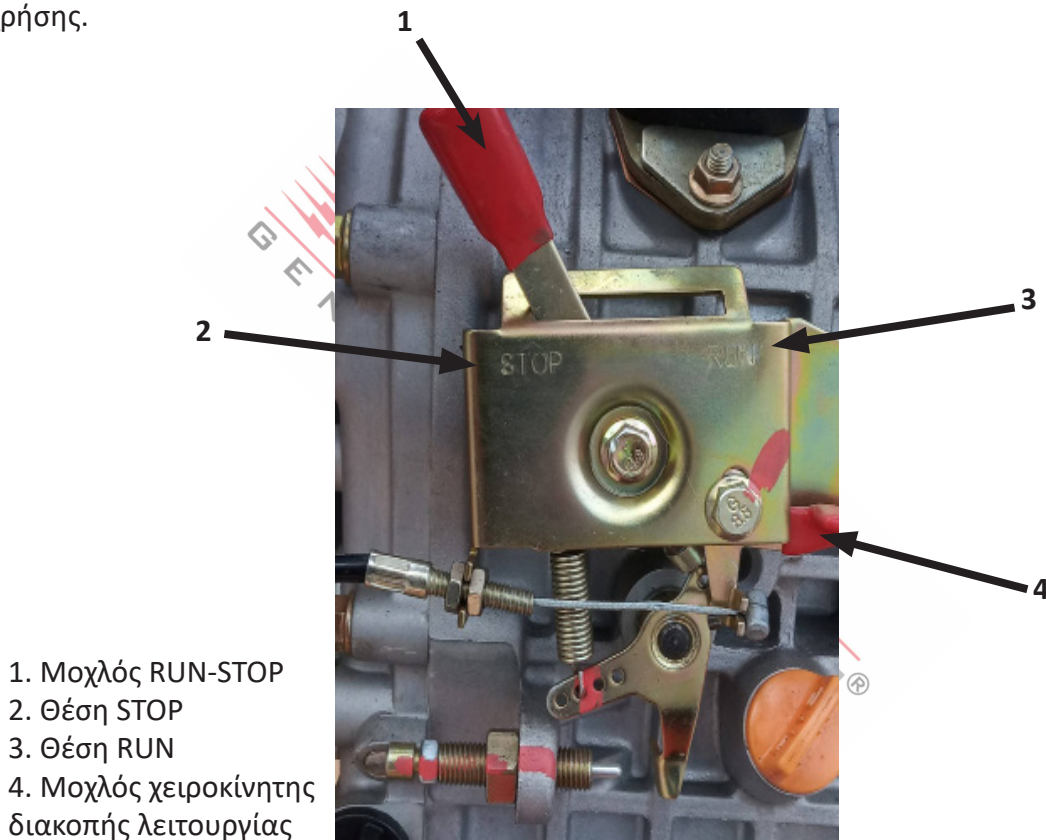
* Χρησιμοποιείτε πάντα το προϊόν με τον παρεχόμενο εξοπλισμό. Η λειτουργία του προϊόντος με μη-προβλεπόμενο εξοπλισμό ενδέχεται να προκαλέσει βλάβη ή ακόμα και σοβαρό τραυματισμό ή θάνατο. Ο κατασκευαστής και ο εισαγωγέας ουδεμία ευθύνη φέρει για τραυματισμούς και βλάβες που προκύπτουν από την χρήση μη προβλεπόμενου εξοπλισμού.

ΠΑΡΑΡΤΗΜΑ

ΟΔΗΓΙΕΣ ΕΚΚΙΝΗΣΗΣ ΚΑΙ ΘΕΣΗΣ ΕΚΤΟΣ ΛΕΙΤΟΥΡΓΙΑΣ GEN-SET GP7000/GP7500/BGB9000

Προκειμένου για την εκκίνηση της ντηζελογεννήτριας πρέπει να ακολουθήσουμε τα εξής:

1. Φροντίζουμε ώστε να έχουν γίνει τα απαραίτητα βήματα συμπλήρωσης λαδιού και εφοδιασμού με πετρέλαιο κίνησης καθώς και ορθής σύνδεσης της μπαταρίας.
2. Τοποθετούμε τον μοχλό **RUN-STOP (1)** στην θέση **RUN (3)** (τον οποίο και αφήνουμε εφόσον αντιλαμβανόμαστε ότι έχει “κουμπώσει” και ότι παραμένει σταθερά στην θέση του.)
3. Γυρνάμε το κλειδί στην μίζα μέχρι να πάρει μπροστά η ντηζελογεννήτρια (αν δεν πάρει μπροστά στα πρώτα 3 - 4 δευτερόλεπτα, αφήνουμε το κλειδί σε ηρεμία (προκειμένου για την προστασία της μηχανής) για άλλο τόσο και ξαναδοκιμάζουμε. Εάν παρατηρηθεί ότι η μηχανή δυσκολεύεται να πάρει μπροστά πρέπει κατά την εκκίνηση να πατήσουμε και τον αποσυμπιεστή ταυτόχρονα με την μίζα όπως αναφέρουν και οι οδηγίες χρήσης.



Προκειμένου να τεθεί η ντηζελογεννήτρια εκτός λειτουργίας :

1. Γυρνάμε το κλειδί στην θέση **OFF** και η μηχανή τίθεται εκτός λειτουργίας.
2. Εάν για οποιοδήποτε λόγο δεν “σβήσει” η μηχανή πατάμε τον **μοχλό χειροκίνητης διακοπής λειτουργίας (4)**, παρατηρούμε ότι ο μοχλός **RUN-STOP (1)** μεταβαίνει στην θέση **STOP (2)** και η μηχανή ακολούθως σβήνει.

EL

Οι γεννήτριες έχουν κατασκευαστεί με αυστηρά πρότυπα που έχει θέσει η εταιρεία και συνάδουν με τα ευρωπαϊκά πρότυπα ποιότητας. Για τις γεννήτριες παρέχεται περίοδος εγγύησης 24 μηνών για ερασιτεχνική χρήση και 12 μηνών για επαγγελματική χρήση. Η ισχύς της εγγύησης ξεκινά από την ημερομηνία αγοράς του προϊόντος. Αποδεικτικό του δικαιώματος της εγγύησης αποτελεί το παραστατικό αγοράς του μηχανήματος (απόδειξη λιανικής ή τιμολόγιο). Σε καμία περίπτωση η εταιρεία δεν καλύπτει τη σχετική δαπάνη ανταλλακτικών και εργασίας εάν και εφόσον δε συνοδεύεται από αντίγραφο του παραστατικού. Σε περίπτωση που η επισκευή πρέπει να γίνει στο service μας η δαπάνη μεταφοράς (από και προς) βαρύνει εξ' ολοκλήρου τον αποστολέα. Οι γεννήτριες αποστέλλονται για την επισκευή τους στην εταιρεία ή σε εξουσιοδοτημένο συνεργείο με τον ενδεδειγμένο τρόπο και μέσο μεταφοράς.

ΕΞΑΙΡΕΣΕΙΣ ΚΑΙ ΠΕΡΙΟΡΙΣΜΟΙ ΤΗΣ ΕΓΓΥΗΣΗΣ:

- 1) Εξαρτήματα που φθείρονται φυσιολογικά από τη χρήση τους (ρόδες, λαβές, μπουζί και λουιά).
- 2) Γεννήτριες που έχουν υποστεί ζημίες από τη μη συμμόρφωση με τις οδηγίες του κατασκευαστή.
- 3) Γεννήτριες με ελλιπή συντήρηση ή φροντίδα.
- 4) Βλάβες από υπέρβαση του μέγιστου φορτίου ή της μέγιστης διάρκειας συνεχόμενης λειτουργίας με βάση τις προδιαγραφές κάθε μοντέλου, όπως αναγράφονται στο εγχειρίδιο χρήσης.
- 5) Γεννήτριες που έχουν δοθεί χωρίς επιβάρυνση.
- 6) Αποθήκευση του μηχανήματος για μεγάλο διάστημα με καύσιμο.
- 7) Βλάβη που προήλθε από λανθασμένη συναρμολόγηση ή κακή εγκατάσταση.
- 8) Βλάβη που προέρχεται από λάθος μίξη καύσιμου με λάδι.
- 9) Βλάβη που οφείλεται σε κακής ποιότητας καύσιμο ή λιπαντικό.
- 10) Βλάβη από πλημμελή καθαρισμό του μηχανήματος.
- 11) Γεννήτριες που έχουν υποστεί τροποποιήσεις – αλλαγές ή έχουν ανοιχτεί από μη εξουσιοδοτημένο συνεργείο.
- 12) Γεννήτριες που χρησιμοποιούνται για νοικίαση.

Η εγγύηση καλύπτει αποκλειστικά τη δωρεάν αντικατάσταση του εξαρτήματος που έχει κατασκευαστικό ελάττωμα ή αστοχία υλικού. Σε περίπτωση έλλειψης ανταλλακτικού η εταιρεία διατηρεί το δικαίωμα αντικατάστασης του μηχανήματος με άλλο αντίστοιχο μοντέλο. Μετά τη διεκπεραίωση της εγγύησης ενός μηχανήματος, η εγγύηση δεν επιμηκύνεται ούτε ανανεώνεται. Τα ανταλλακτικά ή οι γεννήτριες τα οποία αντικαθίστανται παραμένουν στην κατοχή της εταιρείας μας. Άλλες απαιτήσεις, εκτός από αυτές που αναφέρονται σε αυτό το έντυπο εγγύησης επισκευής των μηχανημάτων, δεν ισχύουν. Για την εγγύηση αυτή ισχύει το ελληνικό δίκαιο.

EN

The generators have been manufactured according to strict standards, set by our company, which are aligned with the respective European quality standards. The generators are provided with a warranty period of 24 months for non-professional use and 12 months for professional use. The warranty is valid from the date of purchase of the product. Proof of the warranty right is the purchase document of the generator (retail receipt or invoice). Under no circumstances shall the company cover the relevant cost of spare parts and respective required working hours unless a copy of the purchase document is presented. In case the repair has to be done by our service department the cost of transportation (to and from) is entirely borne by the sender (client). The generators must be sent for repair to the company or to an authorized workshop in the appropriate way and means of transport.

WARRANTY EXEMPTIONS AND RESTRICTIONS:

- 1) Spare parts that wear out naturally as a consequence of being used (wheels, handles, spark plugs etc.).
- 2) Generators damaged as a result of non-compliance with the instructions of the manufacturer.
- 3) Generators poorly maintained.
- 4) Damages as a result of exceeding the maximum load or maximum duration of continuous operation according to the specifications of each generator type, as presented in the instruction manual.
- 5) Generators given to third entities free of charge.
- 6) Storing the generator for a long time with fuel.
- 7) Damage as a result of mistaken assembly or bad maintenance.
- 8) Damage as a result of mistaken mixing of fuel with oil.
- 9) Damage as a result of poor quality of fuel or lubricant.
- 10) Damage as a result of not cleaning the generator as required.
- 11) Generators that have been modified or disassembled by unauthorized personnel.
- 12) Generators used for rent.

The warranty covers only the free of charge replacement of the component that presents a manufacturing defect or material failure. In case of lack of a specific spare part the company reserves the right to replace the generator with another of the same kind. After all warranty procedures have been concluded, the warranty period of a generator shall not be extended or renewed. The spare parts or tools that are replaced remain in the possession of our company. Requirements, other than those mentioned in this warranty form, regarding repairing a generator or damage thereof, do not apply. Greek law and relative regulations apply to this warranty.

FR

Les générateurs ont été fabriqués selon des normes strictes, établies par notre société et se sont alignées sur les normes de qualité européennes respectives. Les générateurs sont fournis avec une période de garantie de 24 mois pour une utilisation non professionnelle et 12 mois pour une utilisation professionnelle. La garantie est valable à partir de la date d'achat du produit. La preuve du droit à la garantie est le document d'achat du générateur (ticket de caisse ou facture). En aucun cas, la société ne couvrira le coût des pièces de rechange et des heures de travail nécessaires si une copie du document d'achat n'est pas présentée. Si la réparation doit être effectuée par notre service après-vente, les frais de transport (aller et retour) sont entièrement à la charge de l'expéditeur (client). Les générateurs doivent être envoyés pour réparation à l'entreprise ou à un atelier agréé de la manière et avec le moyen de transport appropriés.

EXEMPTIONS ET RESTRICTIONS DE GARANTIE :

- 1) Les pièces de rechange qui s'usent naturellement suite à l'utilisation (roues, poignées, bougies d'allumage, etc.).
- 2) Générateurs endommagés à la suite du non-respect des instructions du fabricant.
- 3) Générateurs mal entretenus.
- 4) Dommages résultant du dépassement de la charge maximale ou de la durée maximale de fonctionnement continu selon les spécifications de chaque type de générateur, telles que présentées dans le manuel d'instructions.
- 5) Générateurs donnés à des tiers à titre gratuit.
- 6) Stockage du générateur pendant une longue période avec du carburant.
- 7) Dommages résultant d'un montage erroné ou d'un mauvais entretien.
- 8) Dommages résultant d'un mélange erroné de carburant et d'huile.
- 9) Dommages dus à la mauvaise qualité du carburant ou du lubrifiant.
- 10) Dommages résultant d'un nettoyage insuffisant du générateur.
- 11) Générateurs qui ont été modifiés ou démontés par du personnel non autorisé.
- 12) Générateurs utilisés pour la location.

La garantie couvre uniquement le remplacement gratuit du composant qui présente un défaut de fabrication ou une défaillance matérielle. En cas d'absence d'une pièce de rechange spécifique, la société se réserve le droit de remplacer le générateur par un autre du même type. Après la conclusion de toutes les procédures de garantie, la période de garantie d'un générateur ne sera pas prolongée ou renouvelée. Les pièces de rechange ou les outils qui sont remplacés restent en possession de notre société. Les exigences, autres que celles mentionnées dans ce formulaire de garantie, concernant la réparation d'un générateur ou de ses dommages, ne sont pas applicables. La loi grecque et ses règlements s'appliquent à cette garantie.

IT

I generatori sono stati fabbricati secondo gli standard rigorosi, stabiliti dalla nostra azienda, che sono allineati con i rispettivi standard di qualità europei. I generatori sono forniti con un periodo di garanzia di 24 mesi per uso non professionale e 12 mesi per uso professionale. La garanzia è valida dalla data di acquisto del prodotto. La prova del diritto di garanzia è il documento di acquisto del generatore (scontrino o fattura). In nessun caso la società coprirà il relativo costo dei pezzi di ricambio e delle rispettive ore di lavoro necessarie se non viene presentata una copia del documento di acquisto. Nel caso in cui la riparazione debba essere effettuata dal nostro servizio di assistenza, il costo del trasporto (da e per) è interamente a carico del mittente (cliente). I generatori devono essere inviati per la riparazione all'azienda o ad un'officina autorizzata nel modo e nel mezzo di trasporto appropriato.

ESENZIONI E RESTRIZIONI DELLA GARANZIA:

- 1) Pezzi di ricambio che si usurano naturalmente come conseguenza dell'uso (ruote, maniglie, candele ecc.).
- 2) Generatori danneggiati a causa del mancato rispetto delle istruzioni del produttore.
- 3) Generatori sottoposti a scarsa manutenzione.
- 4) Danni causati dal superamento del carico massimo o della durata massima di funzionamento continuo secondo le specifiche di ogni tipo di generatore, come presentato nel manuale di istruzioni.
- 5) Generatori ceduti a terzi a titolo gratuito.
- 6) Conservazione del generatore per un lungo periodo con il carburante.
- 7) Danni causati da un montaggio errato o da una cattiva manutenzione.
- 8) Danni causati da un'errata miscelazione del carburante con l'olio.
- 9) Danni causati dalla cattiva qualità del carburante o del lubrificante.
- 10) Danni causati dalla mancata pulizia del generatore come richiesto.
- 11) Generatori che sono stati modificati o smontati da personale non autorizzato.
- 12) Generatori usati per il noleggio.

La garanzia copre solo la sostituzione gratuita del componente che presenta un difetto di fabbricazione o di materiale. In caso di mancanza di un pezzo di ricambio specifico l'azienda si riserva il diritto di sostituire l'utensile pneumatico con un altro dello stesso tipo. Una volta concluse tutte le procedure di garanzia, il periodo di garanzia della macchina non potrà essere esteso o rinnovato. I pezzi di ricambio o gli utensili che vengono sostituiti rimangono in possesso della nostra azienda. I requisiti, diversi da quelli menzionati in questo modulo di garanzia, riguardanti la riparazione di un utensile o il suo danneggiamento, non sono applicabili. La legge greca e i relativi regolamenti si applicano a questa garanzia.

AL

Gjeneratorët janë prodhuar sipas standardeve strikte, të vendosura nga kompania jonë, të cilat janë në përputhje me standardet përkatëse evropiane të cilësisë. Gjeneratorët janë siguruar me një periudhë garancie prej 24 muajsh për përdorim jo-profesional dhe 12 muaj për përdorim profesional. Garancia është e vlefshme nga data e blerjes së produktit. Prova e të drejtës së garancisë është dokumenti i blerjes së gjeneratorit (faturë ose faturë me pakicë). Në asnjë rrethanë ndërmarrja nuk mbulon koston përkatëse të pjesëve të këmbimit dhe orarin përkatës të kërkuar të punës, përveç kur është paraqitur një kopje e dokumentit të blerjes. Në rast se riparimi duhet të bëhet nga departamenti ynë i shërbimit kostoja e transportit (për dhe nga) është tërësisht e mbajtur nga dërguesi (klienti). Gjeneratorët duhet të dërgohen për riparim në ndërmarrje ose në një punishte të autorizuar në mënyrën dhe mjetet e duhura të transportit.

PËRJASHTIMET DHE KUFIZIMET E GARANCISË:

- 1) Pjesët rezervë që përdoren në mënyrë natyrale si pasojë e përdorur (rrota, doreza, priza të ndezura etj.).
- 2) Gjeneratorët e dëmtuar si rezultat i mosrespektimit të udhëzimeve të prodhuesit.
- 3) Gjeneratorët nuk mirëmbahet.
- 4) Dëmtimet si rezultat i tejkalimit të ngarkesës maksimale ose kohëzgjatjes maksimale të funksionimit të vazhdueshëm sipas specifikimeve të çdo lloji gjeneratori, siç paraqitet në manualin e udhëzimeve.
- 5) Gjeneratorët që u jepen enteve të treta pa pagesë.
- 6) Ruajtja e gjeneratorit për një kohë të gjatë me karburant.
- 7) Dëmtimi si rezultat i montimit të gabuar ose mirëmbajtjes së keqe.
- 8) Dëmtimi si pasojë e përzjerjes së gabuar të karburantit me naftë.
- 9) Dëmtimi si rezultat i cilësisë së dobët të karburantit ose lubrifikantit.
- 10) Dëmtimi si pasojë e mospastimit të gjeneratorit sipas nevojës.
- 11) Gjeneratorët që janë modifikuar ose çmontuar nga personeli i paautorizuar.
- 12) Gjeneratorët përdoren për qira.

Garancia mbulon vetëm zëvendësimin pa pagesë të komponentit që paraqet një defekt prodhues ose dështim material. Në rast të mungesës së një pjese rezervë specifike kompania rezervon të drejtën për të zëvendësuar gjeneratorin me një tjetër të të njëjtit lloj. Pasi të jenë përfunduar të gjitha procedurat e garancisë, periudha e garancisë së një gjeneratori nuk do të zgjatet ose të rinovohet. Pjesët e këmbimit ose mjetet që zëvendësohen mbeten në zotërim të kompanisë sonë. Kërkesat, përveç atyre të përmendura në këtë formë garancie, në lidhje me riparimin e një gjeneratori ose dëmtimi të tij, nuk zbatohen. Ligji grek dhe rregullat relative zbatohen për këtë garancia.

SRB

Generatori se proizvode prema strogim standardima koje je postavila naša kompanija a koji su usklađeni sa odgovarajućim evropskim standardima kvaliteta. Za generatore je obezbeđen garantni rok od 24 meseca za neprofesionalnu upotrebu i 12 meseca za profesionalnu upotrebu. Garancija važi od dana kupovine proizvoda. Dokaz za pravo na garanciju je dokument o kupovini alata (maloprodajni račun ili faktura). Ni pod kojim okolnostima preduzeće neće pokriti relevantne troškove rezervnih delova i potrebno odgovarajuće radno vreme ako se ne predoči kopija dokumenta o kupovini. U slučaju da popravku treba da uradi naš servis, troškove transporta (do i od) u potpunosti snosi pošiljalac (klijent). Generatori za popravku se šalju u firmu gde su kupljeni ili u ovlašćeni servis i to tako da budu prikladno upakovani za transport.

IUZECI I OGRANIČENJA GARANCIJE:

- 1) Komponente koje se normalno troše od svoje upotrebe (točkovi, ručke, svećice, itd).
- 2) Generatori koji su oštećeni nepoštovanjem uputstva proizvođača.
- 3) Generatori koji su neadekvatno održavani.
- 4) Oštećenja od prekoračenja maksimalnog opterećenja ili maksimalnog trajanja neprekidnog rada na osnovu specifikacija svakog modela, kako je navedeno u uputstvu za korišćenje.
- 5) Generatori su dati trećim licima bez naknade.
- 6) Skladištenje mašine sa gorivom na duže vreme.
- 7) Oštećenja koja su rezultat nepravilne montaže ili loše instalacije.
- 8) Oštećenja koja nastaju usled nepravilnog mešanja goriva i ulja.
- 9) Oštećenje usled lošeg kvaliteta goriva ili maziva.
- 10) Oštećenja usled nepravilnog čišćenja mašine.
- 11) Generatori koji su pretrpeli modifikacije - izmene ili su otvoreni od neovlašćenog osoblja.
- 12) Generatori koji se koriste za iznajmljivanje

Garancija pokriva samo besplatnu zamenu komponente koja ima fabričku grešku ili materijalne nedostatke. U slučaju nedostatka određenog rezervnog dela, kompanija zadržava pravo da zameni generator drugim iste vrste. Nakon što su svi garantni postupci završeni, garantni rok mašine se ne može produžavati ili obnavljati. Rezervni delovi ili generatori koji su zamenjeni ostaju u posedu naše kompanije. Zahtevi, osim onih navedenih u ovom obrascu garancije, u vezi sa popravkom generatora ili njegovim oštećenjem ne važe. Na ovu garanciju se primenjuju grčki zakoni i odgovarajući propisi.

EN

WARRANTY

This appliance is a quality product. It was designed in compliance with current technical standards and made carefully using normal, good quality materials. The warranty period is 24 months for non-professional use and 12 months for professional use and commences on the date of purchase, which can be verified by the receipt, invoice or delivery note. During this warranty period all functional errors, which, despite the careful treatment described in our operating manual, are verifiably due to material flaws, will be rectified by our after-sales service staff. The warranty takes the form that defective parts will be repaired or replaced with perfect parts free of charge at our discretion. Replaced parts will become our property. Repair work or the replacement of individual parts will not extend the warranty period nor will it result in a new warranty period being commenced for the appliance. No separate warranty period will commence for spare parts that may be used. We cannot offer a warranty for damage and defects on appliances or their parts caused by the use of excessive force, improper treatment and servicing. This also applies for failures to comply with the operating manual and the installation or spare and accessory parts that are not included in our range of products. In the event of interference with or modifications to the appliance by unauthorized persons, the warranty will be rendered void. Damages that are attributable to improper handling, over loading, or natural wear and tear are excluded from the guarantee. Damages caused by the manufacturer or by a material defect will be corrected at no charge by repair or by providing spare parts. The prerequisite is that the equipment is handed over assembled, and complete with the proof of sale and guarantee. For a guarantee claim, only use the original packaging. That way, we can guarantee quick and smooth guarantee processing. Please send us the appliances post-paid or request a Freeway sticker. Unfortunately we will be unable to accept appliances that are not postpaid. The warranty does not cover parts that are subject to natural wear and tear. If you wish to make a warranty claim, report faults or order spare parts or accessories, please contact the after-sales center: Subject to change without prior notice.

DE

GARANTIE

Dieses Gerät ist ein Qualitätsprodukt. Es wurde gemäß den aktuellen technischen Standards entworfen und sorgfältig mit normalen, hochwertigen Materialien hergestellt. Die Garantiezeit beträgt 24 Monate bei nicht-professioneller Nutzung und 12 Monate bei professioneller Nutzung und beginnt mit dem Kaufdatum, was anhand von Quittung, Rechnung oder Lieferschein überprüft werden kann. Während dieser Garantiezeit werden alle Funktionsfehler, die trotz der in unserer Bedienungsanleitung beschriebenen sorgfältigen Behandlung nachweislich auf Materialfehler zurückzuführen sind, von unseren Kundendienstmitarbeitern behoben. Die Garantie besteht in der Form, dass defekte Teile nach unserem Ermessen kostenlos repariert oder durch einwandfreie Teile ersetzt werden. Ersetzte Teile werden unser Eigentum. Reparaturarbeiten oder der Austausch einzelner Teile verlängern die Garantiezeit nicht und führen nicht zu einer neuen Garantiezeit für das Gerät. Für eventuell verbrauchte Ersatzteile beginnt keine gesonderte Gewährleistungsfrist. Wir können keine Garantie für Schäden und Mängel an Geräten oder deren Teilen geben, die durch übermäßige Gewaltanwendung, unsachgemäße Behandlung und Wartung verursacht wurden. Dies gilt auch für die Nichtbeachtung der Bedienungsanleitung und der Montage- oder Ersatz- und Zubehörteile, die nicht in unserem Sortiment enthalten sind. Bei Eingriffen in die Änderung durch unbefugte Personen am Gerät erlischt die Garantie. Schäden, die auf unsachgemäße Behandlung, Überlastung oder natürliche Abnutzung zurückzuführen sind, sind von der Garantie ausgeschlossen. Schäden, die vom Hersteller oder durch einen Materialfehler verursacht werden, werden durch Reparatur oder Ersatzteillieferung kostenlos behoben. Voraussetzung ist, dass das Gerät zusammen mit dem Verkaufsbeleg und der Garantie zusammengebaut übergeben wird. Verwenden Sie für einen Garantieanspruch nur die Originalverpackung. Auf diese Weise können wir eine schnelle und reibungslose Garantieabwicklung gewährleisten. Bitte schicken Sie uns die Geräte im Nachhinein oder fordern Sie einen Freeway-Aufkleber an. Geräte, die nicht nachbezahlt werden, können wir leider nicht akzeptieren. Die Garantie erstreckt sich nicht auf Teile, die einem natürlichen Verschleiß unterliegen. Wenn Sie einen Garantieanspruch geltend machen, Fehler melden oder Ersatzteile oder Zubehör bestellen möchten, wenden Sie sich bitte an das After-Sales-Center: Betreff ohne vorherige Ankündigung zu ändern.

FR

GARANTIE

Cet appareil est un produit de qualité. Il a été conçu conformément aux normes techniques en vigueur et fabriqué avec soin à l'aide de matériaux usuels et de qualité. La période de garantie est de 24 mois pour une utilisation non professionnelle et 12 mois pour une utilisation professionnelle et débute à la date d'achat. Elle peut être vérifiée sur le reçu, la facture ou le bon de livraison. Pendant cette période de garantie, toutes les erreurs de fonctionnement qui, malgré le traitement minutieux décrit dans notre manuel d'utilisation, sont dues à des défauts matériels, seront corrigées par notre service après-vente. La garantie prend la forme que les pièces défectueuses seront réparées ou remplacées par des pièces parfaites gratuitement à notre discrétion. Les pièces remplacées deviendront notre propriété. Les travaux de réparation ou le remplacement de pièces individuelles ne prolongeront pas la période de garantie et n'entraîneront pas le début d'une nouvelle période de garantie pour l'appareil. Aucune période de garantie séparée ne commencera pour les pièces de rechange susceptibles d'être utilisées. Nous ne pouvons pas offrir de garantie pour les dommages et les défauts des appareils ou de leurs pièces causés par l'utilisation d'une force excessive, un traitement ou un entretien inapproprié. Ceci s'applique également aux cas de non-respect du manuel d'utilisation et de l'installation ou des pièces détachées et accessoires non compris dans notre gamme de produits. En cas d'interférence avec des modifications apportées à l'appareil par des personnes non autorisées, la garantie sera annulée. Les dommages résultant d'une mauvaise manipulation, d'un chargement excessif ou d'une usure naturelle sont exclus de la garantie. Les dommages causés par le fabricant ou par un défaut matériel seront corrigés gratuitement par la réparation ou par la fourniture de pièces de rechange. La condition préalable est que le matériel soit remis assemblé et accompagné de la preuve de vente et de la garantie. Pour une demande de garantie, utilisez uniquement l'emballage d'origine. De cette manière, nous pouvons garantir un traitement rapide et sans heurts des garanties. S'il vous plaît envoyez-nous les appareils post-payés ou demandez un autocollant Freeway. Malheureusement, nous ne pourrions pas accepter les appareils non post-payés. La garantie ne couvre pas les pièces soumises à une usure naturelle. Si vous souhaitez faire une demande de garantie, signaler un défaut ou commander des pièces de rechange ou des accessoires, veuillez contacter le service après-vente : Sujet à modification sans préavis.

ESP

GARANTÍA

Este aparato es un producto de calidad. Fue diseñado de acuerdo con las normas técnicas actuales y se hizo con cuidado utilizando materiales normales y de buena calidad. El período de garantía es de 24 meses para uso no profesional y de 12 meses para uso profesional y comienza en la fecha de compra, que puede verificarse mediante el recibo, la factura o la nota de entrega. Durante este período de garantía, todos los errores funcionales que, a pesar del tratamiento cuidadoso que se describen en nuestro manual de operación, son verificables debido a fallas materiales, serán corregidos por nuestro personal de servicio postventa. La garantía adquiere la forma de que las piezas defectuosas se repararán o reemplazarán con piezas perfectas de forma gratuita a nuestra discreción. Las partes reemplazadas se convertirán en nuestra propiedad. Los trabajos de reparación o el reemplazo de piezas individuales no ampliarán el período de garantía, no dará lugar a que se comience un nuevo período de garantía para el aparato. No se iniciará ningún período de garantía por separado para las piezas de repuesto que puedan ser utilizadas. No podemos ofrecer una garantía por daños y defectos en los aparatos o sus partes causados por el uso excesivo de la fuerza, el tratamiento y el servicio incorrectos. Esto también se aplica a las fallas en el cumplimiento del manual de operación y la instalación o piezas de repuesto y accesorios que no están incluidos en nuestra gama de productos. En caso de interferencia con modificaciones al aparato por parte de personas no autorizadas, la garantía quedará anulada. Los daños que son atribuibles a un manejo inadecuado, sobrecarga o desgaste natural están excluidos de la garantía. Los daños causados por el fabricante o por un defecto de material se corregirán sin costo alguno por reparación o proporcionando piezas de repuesto. El requisito previo es que el equipo se entregue ensamblado y se complete con el comprobante de venta y garantía. Para una reclamación de garantía, utilice únicamente el embalaje original. De esta manera, podemos garantizar un rápido y suave procesamiento de garantías. Por favor, envíenos los electrodomésticos con pospago o solicite una etiqueta de Freeway. Lamentablemente, no podremos aceptar aparatos que no sean de pospago. La garantía no cubre las piezas que están sujetas a desgaste natural. Si desea realizar un reclamo de garantía, informar fallas o solicitar piezas de repuesto o accesorios, comuníquese con el centro de postventa: Sujeto a cambios sin previo aviso.

IT

GARANZIA

Questo apparecchio è un prodotto di qualità. È stato progettato in conformità con le attuali norme tecniche e realizzato con attenzione utilizzando materiali normali di buona qualità. Il periodo di garanzia è di 24 mesi per uso non professionale e di 12 mesi per uso professionale e decorre dalla data di acquisto, che può essere verificata tramite ricevuta, fattura o bolla di consegna. Durante questo periodo di garanzia tutti gli errori funzionali, che, nonostante l'accurato trattamento descritto nel nostro manuale operativo, sono verificabili a causa di difetti dei materiali, verranno risolti dal nostro personale di assistenza post-vendita. La garanzia assume la forma che le parti difettose saranno riparate o sostituite con parti perfette gratuitamente a nostra discrezione. Le parti sostituite diventeranno di nostra proprietà. I lavori di riparazione o la sostituzione di singole parti non prolungheranno il periodo di garanzia, poiché non si verificherà un nuovo periodo di garanzia per l'apparecchio. Non inizierà alcun periodo di garanzia separato per i pezzi di ricambio che possono essere utilizzati. Non possiamo offrire una garanzia per danni e difetti su apparecchi o loro parti causati dall'uso di forza eccessiva, trattamento e manutenzione inadeguati. Ciò vale anche per il mancato rispetto del manuale operativo e delle parti di installazione o di ricambio e accessori non inclusi nella nostra gamma di prodotti. In caso di interferenza con modifiche all'apparecchio da parte di persone non autorizzate, la garanzia sarà invalidata. Sono esclusi dalla garanzia i danni riconducibili a uso improprio, sovraccarico o usura naturale. I danni causati dal produttore o da un difetto materiale verranno corretti gratuitamente mediante riparazione o fornitura di pezzi di ricambio. Il presupposto è che l'attrezzatura sia consegnata assemblata e completa con la prova di vendita e garanzia. Per una richiesta di garanzia, utilizzare solo la confezione originale. In questo modo, possiamo garantire un'elaborazione della garanzia rapida e agevole. Vi preghiamo di inviarcì gli elettrodomestici post-pagamento o richiedere un adesivo Freeway. Purtroppo non saremo in grado di accettare apparecchi che non sono postpagati. La garanzia non copre parti soggette a usura naturale. Se si desidera presentare una richiesta di intervento in garanzia, segnalare guasti o ordinare pezzi di ricambio o accessori, contattare il centro assistenza: Soggetto a modifiche senza preavvis.

SLO

GARANCIJA

Ta aprava je kakovosten izdelek. Zasnovan je bil v skladu z veljavnimi tehničnimi standardi in skrbno izdelan z običajnimi, kakovostnimi materiali. Garancijsko obdobje je 24 mesecev za neprofesionalno uporabo in 12 mesecev za profesionalno uporabo in se začne na dan nakupa, ki ga je mogoče preveriti s potrdilom o prejemu, računom ali dobavnico. V času garancijskega roka bodo vse funkcionalne napake, ki so kljub skrbni obdelavi, opisani v naših navodilih za uporabo, preverljive zaradi materialnih napak, odpravile naše servisno osebje. Garancija prevzame obliko, da bodo okvarjeni deli po lastni presoji brezplačno popravljene ali zamenjane z brezhibnimi deli. Zamenjani deli bodo postali naša last. Popravila ali zamenjava posameznih delov ne podaljšujejo garancijskega roka, dokler ne začne veljati nova garancijska doba za napravo. Za rezervne dele, ki se lahko pojavijo, se ne bo začelo ločeno garancijsko obdobje. Ne moremo ponuditi garancije za poškodbe in napake na napravah ali njihovih delih zaradi uporabe prekomerne sile, nepravilne obdelave in servisiranja. To velja tudi za neupoštevanje navodil za uporabo in namestitve ali rezervnih delov in dodatkov, ki niso vključeni v našo paleto izdelkov. V primeru motenj v napravi s strani nepooblaščenih oseb, se garancija razveljavi. Poškodbe, ki so posledica nepravilnega ravnanja, obremenitve ali naravne obrabe, so izključene iz garancije. Poškodbe, ki jih povzročijo proizvajalec ali materialna napaka, se bodo popravile ali popravile z zagotavljanjem rezervnih delov. Predpogoj je, da se oprema preda sestavljena in skupaj z dokazilom o prodaji in garancijo. Za garancijski zahtevek uporabite samo originalno embalažo. Tako lahko zagotovimo hitro in gladko obdelavo garancij. Prosimo, pošljite nam naprave po plačilu ali zahtevajte nalepko za Freeway. Na žalost ne bomo mogli sprejeti naprav, ki niso postpaid. Garancija ne zajema delov, ki so predmet naravne obrabe. Če želite vložiti zahtevek za garancijo, prijaviti napake ali naročiti nadomestne dele ali dodatno opremo, se obrnite na prodajni center: Pridržujemo si pravico do sprememb brez predhodnega obvestila.

MLT

GARANZIJA

Dan l-apparat huwa prodott ta 'kwalità. Kienet imfassla f'konformità mal-istandards tekniċi attwali u saret b'attenzjoni bl-użu ta 'materjali normali u ta' kwalità tajba. Il-perjodu tal-garanzija huwa ta '24 xahar għal użu mhux professjonali u 12-il xahar għall-użu professjonali u jibda fid-data tax-xiri, li jista' jiġi vverifikat bir-riċevuta, fattura jew nota tal-kunsinna. Matul dan il-perjodu ta 'garanzija l-iżbalji funzjonali kollha, li, minkejja t-trattament bir-reqq deskritt fil-manwal operattiv tagħna, huma verifikabbli minħabba difetti materjali, se jiġu kkoreġuti mill-istaff tagħna tas-servizz ta' wara l-bejgħ. Il-garanzija tiegħu l-forma li partijiet difettużi se jissewewew jew jiġu sostitwiti bi partijiet perfetti bla ħlas fid-diskreżjoni tagħna. Partijiet mibdula jsiru proprjetà tagħna. Ix-xogħol ta 'tiswija jew is-sostituzzjoni ta' partijiet individwali ma jestendux il-perjodu ta 'garanzija mhux se jirriżulta f'li jibda perjodu ġdid ta' garanzija għall-apparat. Ma jibda l-ebda perjodu ta 'garanzija separat għal spare parts li jistgħu jiġu ted. Ma nistgħux noffru garanzija għal ħsara u difetti fuq l-apparat jew il-partijiet tagħhom ikkawżati mill-użu ta 'forza eċċessiva, trattament mhux xieraq u manutenzjoni. Dan japplika wkoll għal nuqqasijiet ta 'konformità mal-manwal tat-thaddim u l-installazzjoni jew partijiet ta' rikambju u aċċessorji li mhumiex inkluzi fil-firxa ta 'prodotti tagħna. Fil-każ ta 'interferenza ma' modifiki fl-apparat minn persuni mhux awtorizzati, il-garanzija ssir nulla. Ħsarat li huma attribwiti għal immaniġġjar hażin, tagħbija żejda, jew xedd u kedd naturali huma esklużi mill-garanzija. Danni kkawżati mill-manifattur jew minn difett materjali se jiġu kkoreġuti mingħajr ħlas permezz ta 'tiswija jew billi jiġu pprovduti spare parts. Il-pre-rekwiżit huwa li t-tagħmir jiġi mgħoddi immuntat, u komplut bil-prova tal-bejgħ u l-garanzija. Għal talba ta 'garanzija, uża biss l-imballaġġ originali. B'dan il-mod, nistgħu niggarantixxu proċessar ta 'garanzija malajr u bla xkiel. Jekk jogħġbok ibgħatilna l-appliances post-paid jew itlob stiker tal-Freeway. Sfortunatament ma nkunux nistgħu naċċettaw apparat li ma jithallasx wara. Il-garanzija ma tkoprix partijiet li huma soġġetti għal ilbies u kedd naturali. Jekk tixtieq tagħmel talba għall-garanzija, irrapporta ħsarat jew tordna spare parts jew aċċessorji, jekk jogħġbok ikkuntatt ja ċ-ċentru ta 'wara l-bejgħ: Soġġett għal bidla mingħajr avviż minn qabel.

SK

ZÁRUKA

Tento spotřebič je kvalitní výrobek. Bol navrhnutý v súlade s platnými technickými normami a opatrne používal bežné a kvalitné materiály. Záručná doba je 24 mesiacov na neprofesionálne použitie a 12 mesiacov na profesionálne použitie a začína plynúť dátumom nákupu, ktorý je možné overiť potvrdením, faktúrou alebo dodacím listom. Počas tejto záručnej lehoty všetky funkčné chyby, ktoré napriek starostlivej úprave popísanej v našom návode na obsluhu sú overiteľné z dôvodu materiálnych nedostatkov, opravujú naši pracovníci popredajného servisu. Záruka má formu, že vadné časti budú opravené alebo nahradené perfektnými dielmi bezplatne podľa nášho uváženia. Nahradené diely sa stanú našimi vlastnosťami. Opravné práce alebo výmena jednotlivých dielov predĺženie záručnej lehoty nevedie k vzniku novej záručnej lehoty pre spotrebič. Za náhradné diely, ktoré môžu byť dodané, sa nezačína samostatná záručná lehota. Nemôžeme ponúknuť záruku na poškodenie a poškodenie spotrebičov alebo ich častí spôsobené nadmernou silou, nesprávnou obsluhou a servisom. Platí to aj pre poruchy v súlade s návodom na obsluhu a inštaláciou alebo náhradnými dielmi a príslušenstvom, ktoré nie sú súčasťou našej ponuky. V prípade zásahu do modifikácie spotrebiča neoprávnenými osobami sa záruka stane neplatnou. Škody, ktoré sú spôsobené nesprávnou manipuláciou, nadmerným zaťažením alebo prirodzeným opotrebovaním, sú z záruky vylúčené. Škody spôsobené výrobcom alebo chybou materiálu budú opravené bezplatne opravou alebo poskytnutím náhradných dielov. Predpokladom je, že zariadenie je odovzdané a kompletné s dokladom o predaji a zárukou. Pokiaľ ide o nárok na záruku, použite iba pôvodný obal. Týmto spôsobom môžeme zaručiť rýchle a plynulé spracovanie záruky. Pošlite nám, prosím, spotrebiče, ktoré ste už zaplatili, alebo požiadajte o nálepku Freeway. Bohužiaľ nebudeme môcť prijať zariadenia, ktoré nie sú vyplatené. Záruka sa nevzťahuje na časti, ktoré sú vystavené prirodzenému opotrebovaniu. Ak chcete požiadať o záruku, oznámiť chyby alebo objednať náhradné diely alebo príslušenstvo, obráťte sa na uvedené stredisko popredajného servisu: Podliehajú zmenám bez predchádzajúceho upozornenia.

BG

ГАРАНЦИЯ

Този уред е качествен продукт. Той е проектиран в съответствие с действащите технически стандарти и е направен внимателно при използване на нормални, качествени материали. Гаранционният срок е 24 месеца за непрофесионално ползване и 12 месеца за професионална употреба и започва да тече от датата на покупката, която може да бъде потвърдена с квитанция, фактура или документ за доставка. По време на този гаранционен период всички функционални грешки, които, въпреки внимателното третиране, описано в нашето ръководство за експлоатация, са проверими поради материални недостатъци, ще бъдат отстранени от нашия сервизен персонал. Гаранцията приема формата, в която дефектните части ще бъдат ремонтирани или заменени с перфектни части безплатно по наше усмотрение. Подменените части ще станат наша собственост. Ремонтните работи или подмяната на отделни части няма да удължат гаранционния срок, без това да доведе до започване на нов гаранционен период за уреда. За резервни части, които могат да бъдат поставени, няма да започне отделен гаранционен срок. Не можем да предложим гаранция за повреди и дефекти на уредите или техните части, причинени от използването на прекомерна сила, неправилно третиране и обслужване. Това важи и за неспазване на ръководството за експлоатация и инсталацията, както и резервни и допълнителни части, които не са включени в нашата гама от продукти. В случай на намеса в модификации на уреда от неупълномощени лица, гаранцията ще бъде премахната. Щети, които се дължат на неправилно боравене, натоварване или естествено износване, са изключени от гаранцията. Щети, причинени от производителя или от дефект на материала, ще бъдат поправени без заплащане чрез ремонт или чрез предоставяне на резервни части. Предпоставка е оборудването да се съгласява и да се допълни с доказателство за продажба и гаранция. За гаранционна претенция използвайте само оригиналната опаковка. По този начин можем да гарантираме бърза и гладка обработка на гаранциите. Моля, изпратете ни уредите след плащане или заявете стикер на Freeway. За съжаление няма да можем да приемем уреди, които не са с абонамент. Гаранцията не покрива части, които са обект на естествено износване. Ако желаете да направите гаранционна претенция, да съобщите за неизправности или да поръчате резервни части или аксесоари, моля свържете се с центъра за поддръжка: Подлежи на промяна без предизвестие.

RO

GARANȚIE

Acest aparat este un produs de calitate. A fost proiectat în conformitate cu standardele tehnice actuale și a făcut cu atenție materiale normale, de bună calitate. Perioada de garanție este de 24 de luni pentru uz neprofesionist și de 12 luni pentru uz profesional și începe la data cumpărării, care poate fi verificată prin chitanță, factură sau buletin de livrare. În timpul acestei perioade de garanție, toate erorile funcționale, care, în ciuda tratamentului atent descris în manualul nostru de utilizare, sunt verifiabile din cauza defectelor materiale, vor fi reparate de personalul nostru de service post-vânzare. Garanția ia forma faptului că piesele defecte vor fi reparate sau înlocuite cu piese perfecte gratuit, la discreția noastră. Piesele înlocuite vor deveni proprietatea noastră. Lucrările de reparații sau înlocuirea pieselor individuale nu vor prelunge perioada de garanție, deoarece nu vor duce la începerea unei noi perioade de garanție pentru aparat. Nu se va începe nici o perioadă de garanție separată pentru piesele de schimb care pot fi incluse. Nu putem oferi o garanție pentru defecțiunile și defectele aparatelor sau ale pieselor acestora cauzate de utilizarea forței excesive, tratarea necorespunzătoare și întreținerea. Acest lucru se aplică și în caz de nerespectare a manualului de utilizare și a pieselor de instalare sau de rezervă și accesorii care nu sunt incluse în gama noastră de produse. În caz de interferență cu mod-uri care nu sunt incluse în manualul de utilizare, persoane neautorizate, garanția va fi anulată. Daunele care pot fi atribuite manipulării necorespunzătoare, supraîncălzirii sau uzurii naturale sunt excluse din garanție. Deteriorările cauzate de producător sau de un defect material vor fi reparate gratuit, prin reparații sau prin furnizarea de piese de schimb. Condiția prealabilă este ca echipamentul să fi fost predat în asamblare și să fi fost completat cu dovada vânzării și a garanției. Pentru o cerere de garanție, utilizați numai ambalajul original. În acest fel, putem garanta procesarea rapidă și fără probleme a garanției. Trimiteți-ne aparatele post-pachet sau solicitați un autocolant Freeway. Din păcate, nu vom putea accepta dispozitive care nu sunt postpaid. Garanția nu acoperă piese care sunt supuse uzurii naturale. Dacă doriți să solicitați o garanție, să semnalați defecțiuni sau să comandați piese de schimb sau accesorii, vă rugăm să contactați centrul de asistență tehnică: Pot fi modificate fără a fi înlocuite.

NMK

ГАРАНЦИЯ

Овој уред е квалитетен производ. Дизајниран е во согласност со тековните технички стандарти и направен е внимателно со употреба на нормални, квалитетни материјали. Гарантниот период е 24 месеци за непрофесионална употреба и 12 месеци за професионална употреба и започнува на датумот на купување, што може да се потврди со потврда, фактура или испратница. За време на овој гарантен период, сите функционални грешки, кои, и покрај внимателниот третман опишан во нашето упатство за работа, се проверливи поради материјални недостатоци, ќе бидат поправени од нашиот персонал по продажбата. Гаранцијата има форма дека неисправните делови ќе бидат поправени или заменети со совршени делови бесплатно по наша дискреција. Заменетите делови ќе станат наша сопственост. Работата за поправка или замената на поединечни делови нема да го продолжи гарантниот период и нема да резултира со започнување на нов гарантен период за апаратот. Нема да започне посебен гарантен период за резервните делови што може да се тераат. Не можеме да понудиме гаранција за оштетувања и дефекти на апаратите или нивните делови предизвикани од употреба на прекумерна сила, несоодветен третман и сервисирање. Ова исто така важи и за неусогласеност со упатството за работа и инсталацијата или резервните и дополнителните делови кои не се вклучени во нашата палета на производи. Во случај на мешање на модификации на апаратот од страна на неовластени лица, гаранцијата ќе се поништи. Штетите што се припишуваат на неправилно ракување, прекумерно оптоварување или природно абеење се исклучени од гаранцијата. Штетите предизвикани од производителот или од материјален дефект ќе се коригираат бесплатно со поправка или со обезбедување резервни делови. Предуслов е опремата да биде предадена склопена, и комплетна со доказ за продажба и гаранција. За гаранција, користете го само оригиналното пакување. На тој начин, можеме да гарантираме брза и непречена обработка на гаранциите. Ве молиме испратете ни ги апаратите пост-пејд или побарајте налепница за автопат. За жал, нема да можеме да прифатиме апарати што не се постпејд. Гаранцијата не опфаќа делови кои се предмет на природно абеење и кинење. Доколку сакате да поднесете барање за гаранција, да пријавите дефекти или да нарачате резервни делови или додатоци, ве молиме контактирајте го постпродажниот центар: Може да се промени без претходна најава.

HUN

GARANCIÁ

Ez a készülék minőségi termék. Úgy tervezték, hogy megfeleljen a jelenlegi műszaki szabványoknak, és gondosan, normál, jó minőségű anyagokkal készült. A jótállási idő nem professzionális használat esetén 24 hónap, szakmai használat esetén 12 hónap, és a vásárlás napján kezdődik, amelyet a kézhezvétellel, a számla vagy a kézbesítési értesítés igazolhat. A garanciaidő alatt minden olyan funkcionális hiba, amely az üzemeltetési utasításunkban leírt gondos kezelés ellenére bizonyíthatóan az anyagi hibák miatt következik be, a vevőszolgálatunk javítja. A garancia olyan formája, hogy a hibás alkatrészek javítása vagy cseréje a tökéletes alkatrészekkel ingyenes. A cserélt részek tulajdonunk lesz. A javítási munkák vagy az egyes részek cseréje nem hosszabbítja meg a jótállási időszakot, és nem eredményez új garanciaidő megkezdését a készülék számára. Nincs külön garanciaidő a pótalkatrészek esetén. Nem nyújtunk garanciát a készülékek vagy alkatrészeik károsodására és hibáira a túlzott erő, a helytelen kezelés és a karbantartás miatt. Ez vonatkozik az üzemeltetési utasítás és a telepítés, illetve a tartalék és tartozék alkatrészeinek meg nem felelésére is, amelyek nem tartoznak a termékínálatunkba. Abban az esetben, ha a készülék jogosulatlan személy általi módosításai zavarják, a garancia érvényét veszti. A nem megfelelő kezelés, a terhelés vagy a természetes kopás okozta károk nem tartoznak a garancia hatálya alá. A gyártó vagy az anyaghiba által okozott károkat a javítás vagy a pótalkatrészek beszerzése nélkül kijavítják. Az előfeltétel az, hogy a berendezést összeszerelték, és az értékesítés és a garancia igazolásával kiegészüljön. A garancia igényléséhez csak az eredeti csomagolást használja. Így garantálhatjuk a gyors és zökkenőmentes garanciafeldolgozást. Kérjük, küldje el nekünk a készüléket utólag fizetett vagy kérjen Freeway matricát. Sajnos nem tudjuk elfogadni a nem utólag fizetett készülékeket. A garancia nem terjed ki a természetes kopásnak kitett alkatrészekre. Ha garanciális igényt kíván nyújtani, hibákat jelenteni vagy pótalkatrészeket vagy tartozékokat rendelni, kérjük, vegye fel a kapcsolatot az alábbi értékesítési központtal: Előzetes értesítés nélkül változhat.

POL

GWARANCJA

To urządzenie jest produktem wysokiej jakości. Został zaprojektowany zgodnie z aktualnymi standardami technicznymi i wykonany starannie przy użyciu zwykłych, dobrej jakości materiałów. Okres gwarancji wynosi 24 miesiące w przypadku użytku nieprofesjonalnego i 12 miesięcy w przypadku użytku profesjonalnego i rozpoczyna się w dniu zakupu, który można zweryfikować za pomocą paragonu, faktury lub dowodu dostawy. W okresie gwarancji wszystkie błędy funkcjonalne, które pomimo starannego traktowania opisanego w naszej instrukcji obsługi, są weryfikowalne przez wady materiałowe, zostaną naprawione przez nasz personel obsługi posprzedażnej. Gwarancja ma formę, w której wadliwe części zostaną naprawione lub wymienione na części zamiennie bezpłatnie według naszego uznania. Wymienione części staną się naszą własnością. Naprawa lub wymiana pojedynczych części nie przedłuży okresu gwarancji, nie spowoduje to rozpoczęcia nowego okresu gwarancyjnego dla urządzenia. Nie rozpocznie się oddzielny okres gwarancji na części zamiennie, które mogą być używane. Nie możemy zaoferować gwarancji na uszkodzenia i usterki urządzeń lub ich części spowodowane użytkowaniem nadmiernej siły, niewłaściwego traktowania i serwisowania. Dotyczy to również nieprzestrzegania instrukcji obsługi i instalacji lub części zamiennych i akcesoriów, które nie są zawarte w naszej ofercie produktów. W przypadku ingerencji w modyfikacje urządzenia przez osoby nieuprawnione, gwarancja zostanie unieważniona. Szkody, które można przypisać niewłaściwej obsłudze, nadmiernemu obciążeniu lub naturalnemu zużyciu, są wyłączone z gwarancji. Uszkodzenia spowodowane przez producenta lub wadę materiałową zostaną naprawione bezpłatnie przez naprawę lub przez dostarczenie części zamiennych. Warunkiem wstępnym jest przekazanie sprzętu w komplecie wraz z dowodem sprzedaży i gwarancją. W przypadku reklamacji należy używać tylko oryginalnego opakowania. W ten sposób możemy zagwarantować szybkie i płynne przetwarzanie gwarancji. Prześlij nam urządzenia post-paid lub zamów naklejkę na autostradę. Niestety nie będziemy mogli akceptować urządzeń, które nie są opłacane z dołu. Gwarancja nie obejmuje części ulegających naturalnemu zużyciu. Jeśli chcesz zgłosić roszczenie gwarancyjne, zgłoś usterki lub zamówić części zamiennie lub akcesoria, skontaktuj się z następującym centrum: Zastrzega się możliwość zmian bez uprzedzenia.

ALB

GARANCIA

Kjo pajisje është një produkt cilësor. Washtë hartuar në përputhje me standardet aktuale teknike dhe është bërë me kujdes duke përdorur materiale normale, me cilësi të mirë. Periudha e garancisë është 24 muaj për përdorim jo profesional dhe 12 muaj për përdorim profesional dhe fillon në datën e blerjes, e cila mund të vërtetohet me faturën, faturën ose dorëzimin. Gjatë kësaj periudhe garancie, të gjitha gabimet funksionale, të cilat, përkundër trajtimit të kujdesshëm të përkthuar në manualin tonë të funksionimit, janë verifikueshëm për shkak të metave të materialit, do të korrigjohen nga stafi ynë i shërbimit pas shitjes. Garancia merr formën që pjesët e dëmtuara do të riparohen ose zëvendësohen me pjesët të përsosura falas, sipas gjykimit tonë. Pjesët e zëvendësuara do të bëhen pronë jonë. Puna e riparimit ose zëvendësimit i pjesëve individuale nuk do të zgjasë periudhën e garancisë, por nuk do të rezultojë në fillimin e një periudhe të re garancie për pajisjen. Asnjë periudhë e veçantë e garancisë nuk do të fillojë për pjesët rezervë që mund të merren. Ne nuk mund të ofrojmë një garanci për dëmtimin dhe defektet e pajisjeve ose pjesëve të tyre të shaktuara nga përdorimi i forcës së tepërt, trajtimit dhe shërbimit i pahijshëm. Kjo gjithashtu vlen për dështimet në përputhje me manualin e funksionimit dhe instalimin ose pjesët rezervë dhe aksesorë që nuk përfshihen në gamën tonë të produkteve. Në rast ndërhyrjeje në modifikimet e pajisjes nga persona të paautorizuar, garancia do të hiqet. Dëmet që mund t'i atribuohen trajtimit të pahijshëm, ngarkimit të tepërt, ose konsumit natyror, përjashtohen nga garancia. Dëmet e shaktuara nga prodhuesi ose nga një defekt i materialit do të korrigjohen pa pagesë me riparim ose duke siguruar pjesë këmbimi. Parakushti është që pajisjet të dorëzohen të montuara, dhe të kompletuara me provën e shitjes dhe garancisë. Për një kërkesë garancie, përdorni vetëm paketimin origjinal. Në atë mënyrë, ne mund të garantojmë përpunim të shpejtë dhe të qetë të garancisë. Ju lutemi na dërgoni pajisjet me postë të paguar ose kërkoni një afishe autostradë. Për fat të keq, ne nuk do të jemi në gjendje të pranohim pajisje që nuk janë me kontratë. Garancia nuk përfshin pjesë që i nënshtrohen konsumit natyror. Nëse dëshironi të bëni një kërkesë për garanci, të raportoni gabime ose të porosisni pjesë rezervë ose pajisje, ju lutemi kontaktoni qendrën pas shitjes. Subjekti për të ndryshuar pa njoim paraprak.

HR

JAMSTVO

Ovaj je uređaj kvalitetan proizvod. Dizajniran je u skladu s trenutnim tehničkim standardima i izrađen je pažljivo koristeći normalne, kvalitetne materijale. Garancijsko razdoblje je 24 mjeseca za neprofesionalnu upotrebu i 12 mjeseci za profesionalnu uporabu i započinje datumom kupnje, što se može potvrditi potvrdom primitka, računa ili dostavnice. Tijekom ovog jamstvenog razdoblja sve će funkcionalne pogreške, koje su unatoč pažljivom postupanju opisanom u našem priručniku za upotrebu provjerljivo zbog materijalnih nedostataka, otkloni od strane našeg servisnog osoblja. Jamstvo ima oblik da će se oštećeni dijelovi besplatno popraviti ili zamijeni saavršenim dijelovima, po našem nahođenju. Zamijenjeni dijelovi postat će naše vlasništvo. Popravak ili zamjena pojedinih dijelova neće produžiti jamstveno razdoblje, jer neće rezultirati novim jamstvenim rokom za uređaj. Neće započeti zasebni jamstveni rok za rezervne dijelove koji se mogu trošiti. Ne možemo pružiti jamstvo za oštećenja i oštećenja uređaja ili njihovih dijelova uzrokovanih prekomjernom silom, nepravilnim postupanjem i servisiranjem. To se također odnosi i na neusklađivanje s uputama za uporabu i instalacijskim ili rezervnim i pomoćnim dijelovima koji nisu uključeni u naš asortiman proizvoda. U slučaju ometanja neovlaštenih osoba na izmjenama uređaja, jamstvo će se poništiti. Oštećenja koja se mogu pripisati nepravilnom rukovanju, preopterećenju ili prirodnom habanju isključena su iz jamstva. Štete uzrokovane proizvođačem ili oštećenjem materijala ispravit će se besplatnim popravkom ili osiguravanjem rezervnih dijelova. Predviđet je da se oprema preda u sastavu, zajedno s dokazom o prodaji i garancijom. Za garancijski zahtjev koristite samo originalno pakiranje. Na taj način možemo jamčiti brzu i glatku obradu jamstava. Pošaljite nam uređaje naknadno ili zatražite najbolje na autoputu. Nažalost, nećemo biti u mogućnosti prihvatiti uređaje koji nisu pretplaćeni. Jamstvo ne obuhvaća dijelove koji su podložni prirodnom habanju. Ako želite podnijeti zahtjev za jamstvom, prijavite kvarove ili naručite rezervne dijelove ili pribor, molimo kontaktirajte prodajni centar: Podložno promjenama bez prethodne najave.

SRB

ГAРАНЦИЈА

Ovaj aparat je kvalitetan proizvod. Dizajniran je u skladu sa trenutnim tehničkim standardima i rađen pažljivo koristeći normalne, kvalitetne materijale. Garantni rok je 24 meseca. Garantni rok je 24 meseca za neprofesionalno korišćenje i 12 meseci za profesionalnu upotrebu i započinje danom kupovine, što se može verifikovati primaњem, fakturom ili otpremnicom. Tokom ovog garantnog perioda, sve funkcionalne greške koje se, uprkos pažljivom postupanju opisanom u našem uputstvu za upotrebu, verovatno mogu proveriti zbog materijalnih nedostataka, otkloniće od strane našeg servisnog osoblja. Garancija dobija oblik da će se neispravni delovi popraviti ili zameniti saavršenim delovima besplatno po našem nahođenju. Zameњeni delovi postaću naše vlasništvo. Popravci ili zamena pojedinih delova neće produžiti garantni rok jer neće rezultirati novim garancijskim rokom za aparat. Neće početi poseban garantni rok za rezervne delove koji se mogu napuniti. Ne možemo pružiti garanciju za oštećenja i oštećenja uređaja ili њихових delova nastalih prekomernom silom, nepravilnim tretmanom i servisiraњem. Ovo se takođe odnosi i na nepoštovaње uputstva za upotrebu i instalacionih ili rezervnih i pomoćnih delova koji nisu obuhvaćeni našim asortimanom proizvoda. U slučaju ometaња модификација уређаја од стране неовлашћених особа, гаранција ће се поништити. Оштећења која се могу приписати неправилном руковању, преоптерећењу или природном хабању су искључена из гаранције. Оштећења настала од стране произвођача или оштећења материјала исправљаће се или поправљањем резервних делова бесплатно. Предуслов је да се опрема преда у саставу, заједно са доказом о продаји и гаранцијом. За захтев о гаранцији користите само оригинално паковање. На тај начин можемо гарантовати брзу и глатку обраду гаранција. Пошаљите нам уређаје накнадно или затражите налепницу са аутопута. На жалост, нећемо бити у могућности да прихватимо уређаје који нису плаћени. Гаранција не покрива делове који су изложени природном хабању. Ако желите да поднесете захтев за гаранцијом, пријавите грешке или наручите резервне делове или додатну опрему, молимо контактирајте доњи продајни: Подложно променама без претходне најаве.

